

# 40G Cabling Technical Reference

This guide provides reference material on Corning Cable Systems products for 40G and 10G solutions that are compatible with Arista Networks. This guide is intended to provide a quick reference guide for commonly used products; for more specific guidance about 40G cabling solutions and design please refer to the following documents:

**For 40G QSFP+ to 40G QSFP+ cabling:**

[http://csmedia.corning.com/CableSystems//Resource\\_Documents/application\\_engineering\\_notes\\_rl/AEN151.pdf](http://csmedia.corning.com/CableSystems//Resource_Documents/application_engineering_notes_rl/AEN151.pdf)

**For 40G QSFP+ to 10G SFP+ cabling:**

[http://csmedia.corning.com/CableSystems//Resource\\_Documents/application\\_engineering\\_notes\\_rl/AEN152.pdf](http://csmedia.corning.com/CableSystems//Resource_Documents/application_engineering_notes_rl/AEN152.pdf)

**Table 1: 40G Cabling Technical Reference**

H757912QPH-1W010F



12-fiber MTP (pinless) to LC UniBoot module harness breakout for Arista 7500 48-port linecards; OM4 50/125 μm; 10ft  
Used for connecting (6)10G SFP+ into a module for port replication. MTP would plug into the rear of MTP-LC Module below.

H937912QPH-1Z010F



12-fiber MTP (pinned) to LC UniBoot trunk harness breakout for Arista 7500 48-port linecards; OM4 50/125 μm; 10ft  
Used for connecting (6)10G SFP+ into a MTP adapter panel and MTP trunk. The other end of the trunk would have install into a module or another harness.

ECM-UM12-05-93Q



12-fiber MTP (pinned)-LC Module; OM4 50/125 μm  
Installs at end of MTP-to-MTP trunk cable or connects to a module harness (Type-W) at MTP end.

797902QD120002M



Pretium EDGE® Reverse Polarity UniBoot Duplex Jumper, OM4 50/125 μm, 2 m  
Standard jumper – connects from MTP/LC module above into 10G SFP+.

G7575E4QPNDU100F



144-fiber MTP Connector to MTP Connector Trunk OM4 50/125 μm , with 33/33 inch legs, pulling grip one side, 100ft  
High density trunk (144 fibers) with twelve (12) MTP connectors on each end. Typically used with modules or MTP adapter panels and harnesses or MTP jumpers on each end.

EDGE-CP48-E3



48-fiber (4-port) MTP Adapter Panel  
Used to connect MTP trunks to MTP Jumpers into QSFP+ ports or to MTP/LC harness assemblies into SFP+ ports

J759312QE8-NB010F



MTP (pinned) to MTP (pinless) OM4 50/125 μm jumper; Type-B polarity; 10ft.  
Used for connecting between a patch panel and QSFP+ SR4 port (pinned end would plug into adapter panel to mate with trunk)

J757512QE8-NB010F



MTP (pinless) to MTP (pinless) OM/4 50/125 μm jumper; Type-B polarity; 10ft

Used for direct switch to switch connectivity with no patch panels or intermediate trunks – rack to rack for leaf/spine.

H757908QPH-KB010F



8-fiber harness; MTP(pinless) - (4) LC UniBoot; Type-B polarity; OM3/4 50/125 μm; 24" LC breakout and overall length of 10ft

Used for a direct connection between QSFP+ to (4) SFP+ ports with no patch panels or intermediate trunks in between.

H937908QPH-KB010F



8-fiber harness; MTP(pinned) - (4) LC UniBoot; Type-B polarity; OM3/4 50/125μm; 24" LC breakout and overall length of 10ft

Used to breakout a QSFP+ port into (4) SFP+ ports and MTP adapter panel.

H750508QPH-KB010F

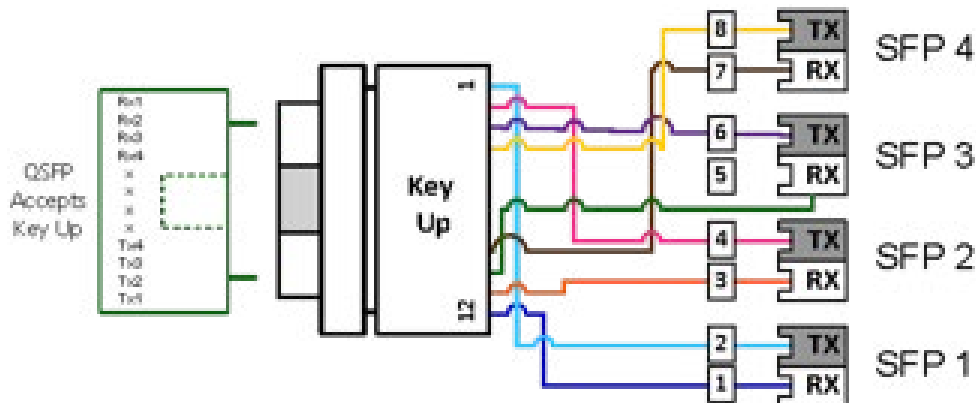


8-fiber harness; MTP (pinless) – 4 LC Duplex; Type-B polarity; OM4 50/125μm; 24" LC breakout and length (MTP to furcation) of 10ft

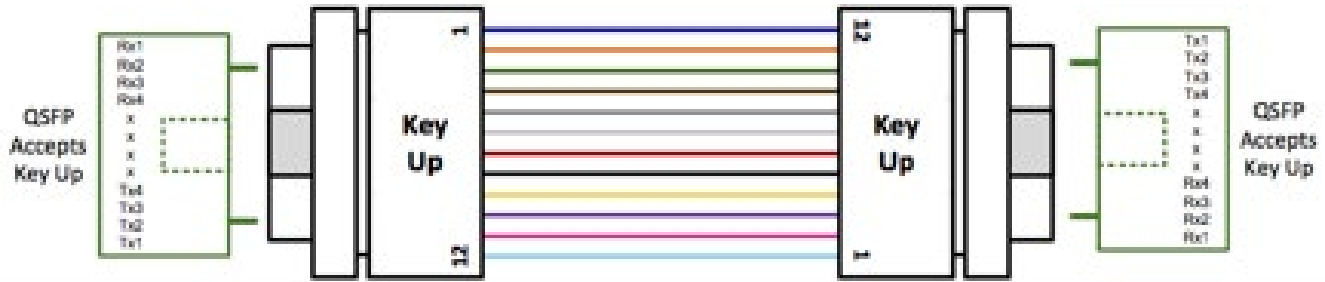
Used to breakout a QSFP+ port into (4) SFP+ ports in a LC adapter panel for port replication to cross-connect to MTP/LC modules and MTP Trunks.

## Example Cables

H757908QPH-KB010F



J757512QE8-NB010F



**Santa Clara—Corporate Headquarters**

5453 Great America Parkway,  
Santa Clara, CA 95054

Phone: +1-408-547-5500

Fax: +1-408-538-8920

Email: info@arista.com

**Ireland—International Headquarters**

3130 Atlantic Avenue  
Westpark Business Campus  
Shannon, Co. Clare  
Ireland

**Vancouver—R&D Office**

9200 Glenlyon Pkwy, Unit 300  
Burnaby, British Columbia  
Canada V5J 5J8

**San Francisco—R&D and Sales Office**

1390 Market Street, Suite 800  
San Francisco, CA 94102

**India—R&D Office**

Global Tech Park, Tower A & B, 11th Floor  
Marathahalli Outer Ring Road  
Devarabeesanahalli Village, Varthur Hobli  
Bangalore, India 560103

**Singapore—APAC Administrative Office**

9 Temasek Boulevard  
#29-01, Suntec Tower Two  
Singapore 038989

**Nashua—R&D Office**

10 Tara Boulevard  
Nashua, NH 03062



Copyright © 2016 Arista Networks, Inc. All rights reserved. CloudVision, and EOS are registered trademarks and Arista Networks is a trademark of Arista Networks, Inc. All other company names are trademarks of their respective holders. Information in this document is subject to change without notice. Certain features may not yet be available. Arista Networks, Inc. assumes no responsibility for any errors that may appear in this document. 03/14