

# ARISTA

## Quick Start Guide

### DANZ Monitoring Fabric Recorder Node

DCA-DM-RN760



[Arista.com](https://www.arista.com)

Arista Networks

DOC-08676-01

<b>Headquarters</b>	<b>Support</b>	<b>Sales</b>
5453 Great America Parkway Santa Clara, CA 95054 USA +1-408-547-5500	+1-408-547-5502 +1-866-476-0000	+1-408-547-5501 +1-866-497-0000
<a href="http://www.arista.com/en/">www.arista.com/en/</a>	<a href="mailto:support@arista.com">support@arista.com</a>	<a href="mailto:sales@arista.com">sales@arista.com</a>

© Copyright 2026 Arista Networks, Inc. All rights reserved. The information contained herein is subject to change without notice. The trademarks, logos, and service marks ("Marks") displayed in this documentation are the property of Arista Networks in the United States and other countries. Use of the Marks is subject to the Arista Networks Terms of Use Policy, available at [www.arista.com/en/terms-of-use](http://www.arista.com/en/terms-of-use). Use of marks belonging to other parties is for informational purposes only.

# Contents

- Chapter 1: Overview..... 1**
  - 1.1 Scope..... 1
  - 1.2 Supplemental Documentation..... 1
  - 1.3 Obtaining Technical Assistance..... 1
  - 1.4 Safety Information..... 2
  - 1.5 Specifications..... 2
  
- Chapter 2: Set up Preparation..... 6**
  - 2.1 Site Selection..... 6
  - 2.2 Receiving and Inspecting the Equipment..... 6
  - 2.3 Electrostatic Discharge (ESD) Precautions..... 7
  - 2.4 Setting up Your System..... 7
  - 2.5 DMF Recorder Node Physical Appliance Setup..... 7
    - 2.5.1 Front Bezel..... 8
    - 2.5.2 Locate the MAC Addresses for the DMF Recorder Node Appliance..... 8
    - 2.5.3 Rear Panel Ethernet Connections..... 9
    - 2.5.4 DNS Entries..... 9
  - 2.6 DMF Recorder Node Appliance IP Configuration..... 9
    - 2.6.1 DHCP-Based IP Address Setup..... 10
    - 2.6.2 Manual IP Address Setup..... 10
  
- Chapter 3: DMF Recorder Node Appliance Access..... 11**
  - 3.1 iDRAC..... 11
    - 3.1.1 Web Access into iDRAC (System IPMI)..... 11
    - 3.1.2 Changing the iDRAC Password..... 12
  
- Chapter 4: Application Setup..... 15**
  - 4.1 Setting Up DMF Recorder Node..... 15
    - 4.1.1 Log into the DMF Recorder Node Web Interface..... 15
  
- Appendix A: Series Status Indicators..... 16**
  - A.1 LCD Panel Features..... 16
  - A.2 Status LED Indicators..... 17
    - A.2.1 iDRAC Direct LED Indicator Codes..... 18
  - A.3 NIC Indicator Codes..... 20
  - A.4 Power Supply Unit Indicator Codes..... 21
  
- Appendix B: Rack Installation..... 23**
  - B.1 Rack Installation..... 23
  - B.2 Two-Post Rack Mount Parts..... 26
  
- Appendix C: Front and Rear View of the System..... 27**

**Appendix D: RoHS Declaration Statements..... 28**

## Overview

---

This section contains the following topics:

- [Scope](#)
- [Supplemental Documentation](#)
- [Obtaining Technical Assistance](#)
- [Safety Information](#)
- [Specifications](#)

### 1.1 Scope

This guide intends for properly trained service personnel and technicians who need to install the DMF Recorder Node Appliance.



**CAUTION:** Only qualified or trained personnel should install, service, or replace this equipment.

### 1.2 Supplemental Documentation

Refer to the Arista EOS User manual or additional configuration requirements at <https://www.arista.com/en/support/product-documentation>.

### 1.3 Obtaining Technical Assistance

All customers, partners, resellers, or distributors holding a valid Arista Service Contract can obtain technical support in any of the following ways:

- **Email:** <mailto:support@arista.com>

Include a detailed problem description and the “show tech-support” output.

- **Web:** <https://www.arista.com/en/support>

Create a support case through the support portal on our website. You may also download the most current software and documentation and view FAQs, Knowledge Base articles, Security Advisories, and Field Notices.

- **Phone:** +1 866-476-0000 or +1 408-547-5502

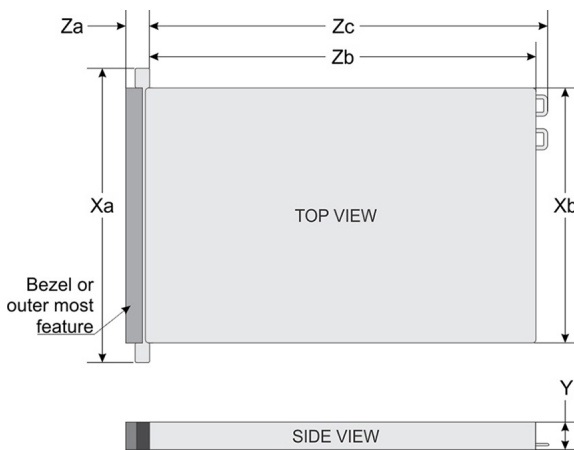
## 1.4 Safety Information

Refer to the Arista Networks document Safety Information and Translated Safety Warnings at: <https://www.arista.com/en/support/product-documentation>.

## 1.5 Specifications

The following appliance specifications table lists the DMF Recorder Node Appliances information.

**Figure 1-1: System Dimensions**



**Table 1: System Specifications**

System	Dimensions
$X_a$	482.0 mm (18.97 inches)
$X_b$	434.0 mm (17.08 inches)
$Y$	86.8 mm (3.41 inches)
$Z_a$	35.84 mm (1.41 inches) (with bezel) 22 mm (0.87 inches) (without bezel)
$Z_b$	650.24 mm (25.6 inches) (Ear to rear wall)
$Z_c$	685.78 mm (26.99 inches) (Ear to PSU handle)

The following table shows the unit weight specifications with all drives/SSDs installed.

**Table 2: Weight Specifications**

System Configuration	Maximum weight (with all drives/SSDs)
12 x 3.5 inch	28.82 kg
8 x 3.5 inch	25.84 kg
8 x 2.5 inch	21.56 kg

The following table shows the power supply specifications.

**Table 3: Power Specifications**

Power Draw	Specifications
Power Draw (Typical) 550 W AC	Platinum 50/60 Hz 100 240 V AC, auto-arranging
Power Draw (Typical) 450 W AC	Bronze 50/60 Hz 100 240 V AC, auto-arranging

The following table shows the optimal working temperature specifications.

**Table 4: Temperature Specifications**

Temperature	Specifications
Non-operational	-40°C to 65°C (-40°F to 149°F)
Temperature ranges (For Altitude <900 meters or 2953 feet)	5°C to 45°C (41°F to 113°F) with no direct sunlight on the equipment.
Maximum temperature gradient (operating and non-operational)	20°C in an hour* (36°F in an hour) and 5°C in 15 minutes (9°F in 15 minutes), 5°C in an hour* (9°F in an hour) for tape hardware

The following table shows the relative humidity specification during operations and storage.

**Table 5: Relative Humidity Specifications**

Relative Humidity	Specifications
Non-operational	5% to 95% RH with 27°C (80.6°F) maximum dew point. The atmosphere must be non-condensing at all times.
Operational	8% RH with -12°C (10.4°F) minimum dew point to 90% RH with 24°C (75.2°F) maximum dew point. Non-condensing at all times.

The following table shows the maximum vibration specifications during operations and storage.

**Table 6: Maximum Vibration Specifications**

Maximum Vibration	Specifications
Operating	0.21 Grms at 5 Hz to 500 Hz for 10 minutes (all operational orientation)
Storage	1.88 Grms at 10 Hz to 500 Hz for 15 min (all six sides tested)

The following table shows the maximum shock specifications during operations and storage.

**Table 7: Maximum Shock Specifications**

Maximum Shock	Specifications
Operating	6 G six consecutively shock pulses in the positive and negative x, y, and z axes up to 11 ms.
Storage	71 G six consecutively shock pulses in the positive and negative x, y, and z axes (one pulse on each side of the system) up to 2 ms.

The following table shows the maximum altitude specifications during operations and storage.

**Table 8: Maximum Altitude Specifications**

Maximum Altitude	Specifications
Operational	3050 m (10,006 ft)
Non-operational	12,000 m (39,370 ft)



The following table shows the standard operating temperature during operations and storage.

**Table 9: Standard Operating Temperature**

Standard Operating Temperature	Specifications
Continuous operation (for altitude less than 950 m or 3117 ft).	10°C to 35°C (50°F to 95°F) with no direct sunlight on the equipment.

The following table shows the expanded operating temperature during operations and storage.

**Table 10: Standard Operating Temperature**

Expanded Operating Temperature	Specifications
Continuous operation	5°C to 40°C at 5% to 85% RH with 29°C dew point.   <b>Note:</b> Outside the standard operating temperature (10°C to 40°C), the system can operate continuously in temperatures as low as 5°C and as high as 40°C.
1% of annual operating hours	-5°C to 45°C at 5% to 90% RH with 29°C dew point.   <b>Note:</b> Outside the standard operating temperature (10°C to 40°C), the system can operate down to -5°C or up to 45°C for a maximum of 1% of its annual operating hours.  For temperatures between 40°C and 45°C, de-rate maximum allowable temperature by 1°C per 125 m above 950 m (1°F per 228 ft).

**Expanded operating temperature restrictions**

- Do not perform a cold startup below 5°C.
- The operating temperature specified is for a maximum altitude of 3048 m (10,000 ft).
- 105 W/4C, 115 W/6C, 130 W/8C, 140 W/14C or higher wattage processor (TDP>140 W) are not supported.
- A redundant power supply configuration is required.
- Non-Arista qualified peripheral cards and/or peripheral cards greater than 25 W are not supported. NVMe drives are not supported.
- Apache Pass DIMM and NVDIMM are not supported.

The following table shows the operating temperature derating specifications.

**Table 11: Operating Temperature Derating Specifications**

Operating Temperature Derating	Specifications
Up to 35°C (95°F)	Maximum temperature is reduced by 1°C/300 m (1°F/547 ft) above 950 m (3,117 ft).
35°C to 40°C (95°F to 104°F)	Maximum temperature is reduced by 1°C/175 m (1°F/319 ft) above 950 m (3,117 ft)
40°C to 45°C (104°F to 113°F)	Maximum temperature is reduced by 1°C/125 m (1°F/228 ft) above 950 m (3,117 ft).

# Set up Preparation

---

This chapter contains the following topics:

- [Site Selection](#)
- [Receiving and Inspecting the Equipment](#)
- [Electrostatic Discharge \(ESD\) Precautions](#)
- [Setting up Your System](#)
- [DMF Recorder Node Physical Appliance Setup](#)
- [DMF Recorder Node Appliance IP Configuration](#)

## 2.1 Site Selection

Before you begin, read the safety instructions in your Safety, Environmental, and Regulatory Information booklet.

Consider the following criteria when selecting a site to install the appliance:

- Before you begin, review the safety instructions located at <https://www.arista.com/en/support/product-documentation>.
- Begin installing the rails in the allotted space closest to the bottom of the rack enclosure.
- Other Requirements: Select a site where liquids or objects cannot fall onto the equipment and foreign objects are not drawn into the ventilation holes. Verify these guidelines are met:
  - Clearance areas to the front and rear panels allow for unrestricted cabling.
  - All front and rear panel indicators are visible.
  - Power cords can reach from the power outlet to the connector on the rear panel.



**Note:** Remove all power connections to de-energize the unit.



**Note:** You can install this unit in restricted access areas.

## 2.2 Receiving and Inspecting the Equipment

Upon receiving the appliance, inspect the shipping boxes and record any external damage. Retain packing materials if you suspect that part of the shipment is damaged; the carrier may need to inspect them.

If the boxes are in pristine condition in transit, unpack them carefully. You do not discard accessories packaged in the same box as the main unit.

Inspect the packing list and confirm that you received all listed items. Compare the packing list with your purchase order. The Appendix provides a list of components included with the appliance.

## 2.3 Electrostatic Discharge (ESD) Precautions

Observe these guidelines to avoid ESD damage when installing or servicing the appliance.

- Assemble or disassemble equipment only in a static-free work area.
- Use a conductive work surface (such as an anti-static mat) to dissipate static charge.
- Wear a conductive wrist strap to dissipate static charge accumulation.
- Minimize handling of assemblies and components.
- Keep replacement parts in their original static-free packaging.
- Remove all plastic, foam, vinyl, paper, and other static-generating materials from the work area.
- Use tools that do not create ESD.

## 2.4 Setting up Your System

Complete the following steps to set up your system:

1. Unpack the system.
2. Remove the I/O connector cover from the system connectors.



**Note:** While installing the system, make sure that it is aligned properly with the slot on the enclosure

3. Install the system in the enclosure.
4. Turn on the enclosure.



**Note:** Wait for the chassis to initialize before you select the power button.

5. Press the power button on the system.

Alternatively, you can also turn on the system by using:

- The system iDRAC. For more information, see [Web Access into iDRAC \(System IPMI\)](#) .
- The enclosure Chassis Management Controller (CMC), after the system iDRAC (IPMI) configures on the CMC.

---

## 2.5 DMF Recorder Node Physical Appliance Setup

You may need the following items to perform the procedures in this section:

- Key to the system keylock.
- #1 and #2 Phillips screwdriver.
- Wrist grounding strap connected to ground.
- Rack mount kit instructions are in the shipping box.

### Before Working Inside your System

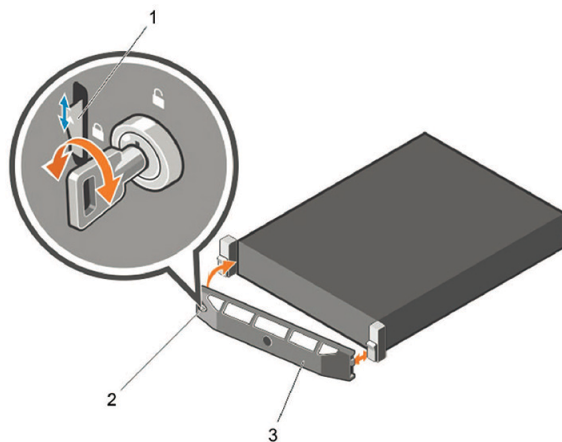
Follow these safety guidelines: [Safety Information](#).

1. Turn off the system, including all attached peripherals.
2. Disconnect the system from the electrical outlet and disconnect the peripherals.
3. Remove the system cover.

### 2.5.1 Front Bezel

Complete the following tasks to remove the front bezel.

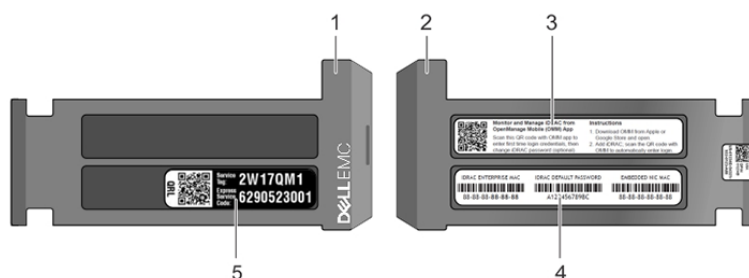
Figure 2-1: Front Bezel



1. Unlock the keylock at the left end of the bezel.
2. Lift the release latch next to the keylock.
3. Rotate the left end of the bezel away from the front panel.
4. Unhook the right end of the bezel and pull the bezel away from the system.

### 2.5.2 Locate the MAC Addresses for the DMF Recorder Node Appliance

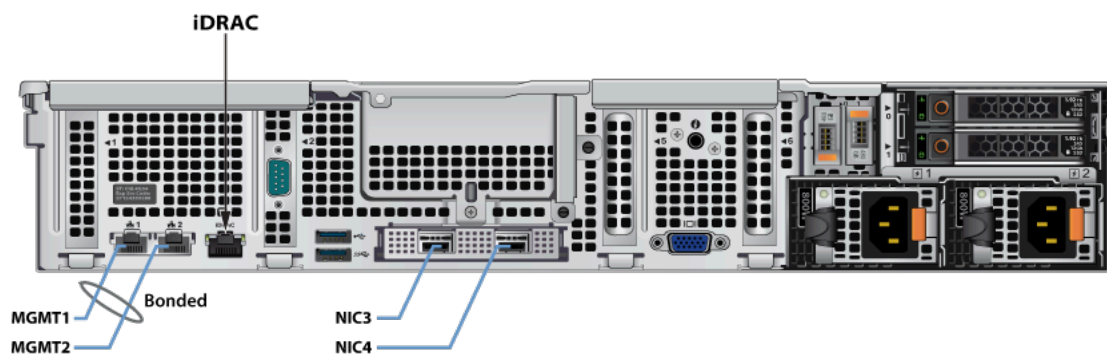
The information tag is a slide-out label that contains system information such as Service Tag, NIC, and MAC address for your reference. Record the MAC addresses in the DMF Recorder Node Appliance Worksheet.

**Figure 2-2: Locating the MAC Address of your System**

- |   |                               |   |  |
|---|-------------------------------|---|--|
| 1 | Information tag (front view)  | 4 | DRAC MAC address and iDRAC secure password label |
| 2 | Information tag (back view)   | 5 | Service Tag                                      |
| 3 | OpenManage Mobile (OMM) label |   |  |

### 2.5.3 Rear Panel Ethernet Connections

Locate the Ethernet Integrated 10/100/1000 Mbps NIC connectors on the back panel of the DMF Recorder Node appliance.

**Figure 2-3: Rear Panel Ethernet Connections**

### 2.5.4 DNS Entries

To manage your DMF Recorder Node cluster, it is often easier to connect to it by hostname instead of IP address. Allocate Fully Qualified Domain Names (FQDNs) to:

- Each of the DMF Recorder Node Appliance host machines.
- Each of the DMF Recorder Node Appliance iDRAC interfaces.

Contact your DNS zone administrator for assistance.

## 2.6 DMF Recorder Node Appliance IP Configuration

You can allocate the DMF Recorder Node Appliance Host and iDRAC IP addresses in two ways:

### Option 1: Using an available DHCP server

- DHCP-based IP address setup [DHCP-Based IP Address Setup](#).
- Web access into host via iDRAC [Web Access into iDRAC \(System IPMI\)](#).

### Option 2: Manual configuration (Requires terminal connected to VGA port)

- Manual IP address setup [Manual IP Address Setup](#).
- Web access into host via iDRAC [Web Access into iDRAC \(System IPMI\)](#).

### 2.6.1 DHCP-Based IP Address Setup

Using the iDRAC MAC from [Locate the MAC Addresses for the DMF Recorder Node Appliance](#), input an entry into the DHCP Server for the corresponding iDRAC IP address mapping to that MAC.

### 2.6.2 Manual IP Address Setup

Direct IP Address Setup requires a terminal connected to the appliance's VGA port. Refer to Setting Up and Using iDRAC in the ***DMF Deployment Guide***.

## DMF Recorder Node Appliance Access

---

This section contains the following topics:

- [iDRAC](#)

### 3.1 iDRAC

iDRAC is a GUI-based IPMI running on a separate out-of-band CPU to monitor the hardware appliance.

- [Web Access into iDRAC \(System IPMI\)](#)
- [Changing the iDRAC Password](#)

#### 3.1.1 Web Access into iDRAC (System IPMI)

The following browsers support iDRAC:

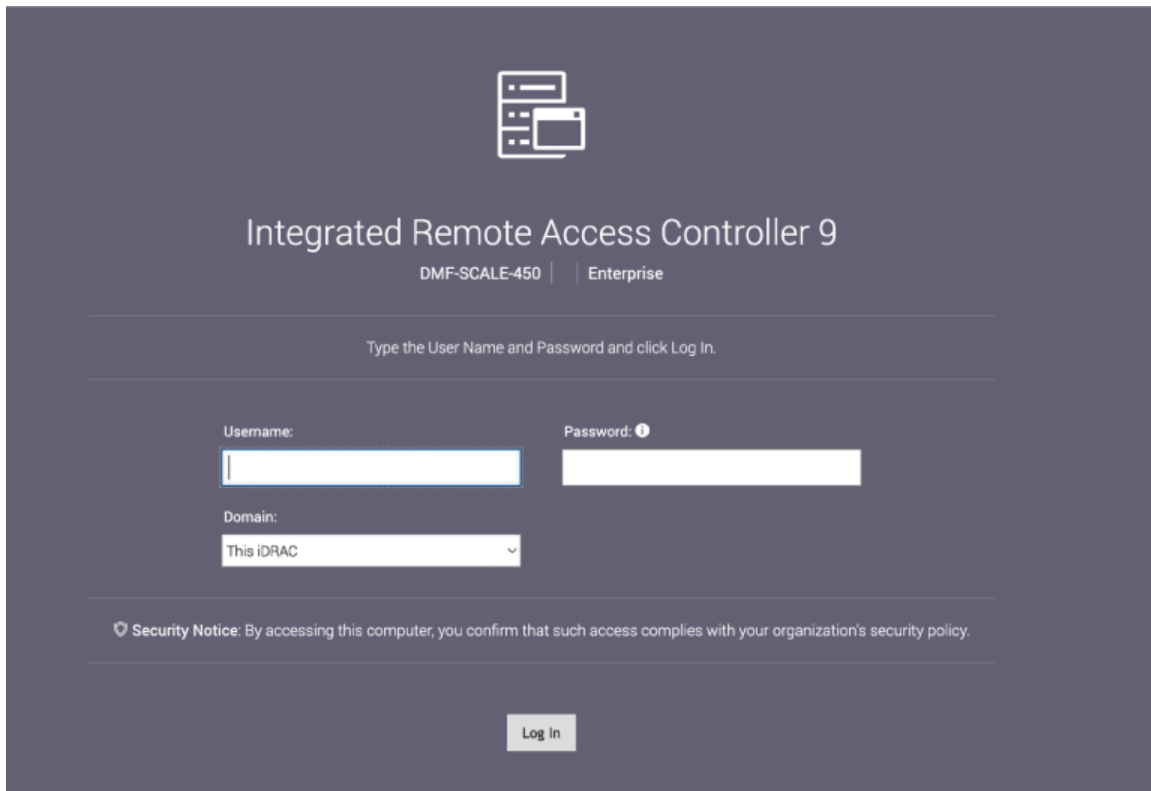
- **Mozilla Firefox**
- **Google Chrome**

On the management station, open the Web browser and connect to the iDRAC7 using `https://<hostname or IP of iDRAC>`.

For example, `https://192.168.0.120`.

The Login page appears.

**Figure 3-1: iDRAC Login Page**



Login using the default username and password, which are:

- Username: **root**
- Password: **<password on the Service Tag>**



**Note:** Both the username and password are case-sensitive.

## 3.1.2 Changing the iDRAC Password

To change the iDRAC password, use the iDRAC Web Interface. Refer to [Changing the Password through the iDRAC Web Interface](#).

### 3.1.2.1 Changing the Password through the iDRAC Web Interface

Complete the following steps to change the password through the iDRAC web interface.

1. Log into iDRAC.

**Figure 3-2: iDRAC Login Page**

Integrated Remote Access Controller 9  
DMF-SCALE-450 | Enterprise

Type the User Name and Password and click Log In.

Username:

Password:

Domain:

Security Notice: By accessing this computer, you confirm that such access complies with your organization's security policy.

Log In

2. Under **iDRAC Settings**, go to **User**. Expand the Local Users and select the user whose password will be changed.

**Figure 3-3: iDRAC Settings Page**

Dashboard System Storage Configuration Maintenance iDRAC Settings

## iDRAC Settings

Overview Connectivity Services **Users** Settings

Local Users

Details Add Edit Disable Delete

ID ^	User Name	State	User Role	IPMI LAN Privilege
2	root	Enabled	Administrator	Administrator

Directory Services

Smart Card

Sessions

OpenID Connect Configured Systems

Global User Settings

3. Click the **User ID** number of the root account.
4. Click **Edit**. The page will appear, showing options for changing the root user's Password.

**Figure 3-4: Changing the Password**

Edit User

User Configuration SSH Key Configurations Smart Card Configuration

User Account Settings

ID 2

User Name\* root

Password\* .....

Confirm Password\* .....

User Privileges

User Role Administrator

Login to iDRAC  Configure iDRAC  Configure Users

Clear Logs  Control and Configure System  Access Virtual Console

Access Virtual Media  Test Alerts  Execute Debug Commands

Close Save

5. Enter the new password in the **Password** and click **Confirm Password**.
6. Click **Save** to apply the password change.

## Application Setup

---

This chapter contains the following topics:

- [Setting Up DMF Recorder Node](#)

### 4.1 Setting Up DMF Recorder Node

#### Pre-installation Checklist

- Ensure that the installation prerequisites are satisfied, as mentioned in the DMF Recorder Node Installation prerequisites section of the *DMF Deployment Guide*.
- To set up the Recorder Node appliance, please refer to *Installing and Upgrading the DMF Recorder Node* section of the *DMF Deployment Guide*.

#### 4.1.1 Log into the DMF Recorder Node Web Interface

After the Recorder Node has been connected to the DMF switch fabric and configured (as per the steps outlined in the *DMF Deployment Guide*), enter the DMF Controller GUI via its IP/Hostname. The Recorder Node should be displayed as connected in the Managed Services page of the DMF GUI.

Refer to the *DMF User Guide* for instructions on using the DMF Recorder Node appliance.

## Series Status Indicators

This section contains the following topics:

- [LCD Panel Features](#)
- [Status LED Indicators](#)
- [NIC Indicator Codes](#)
- [Power Supply Unit Indicator Codes](#)

### A.1 LCD Panel Features

The system's LCD panel provides system information, status, and error messages to indicate if the system is operating correctly or needs attention.

The LCD backlight lights are blue during normal operating conditions. When the system needs attention, the LCD lights are amber and display an error code followed by descriptive text.



**Note:** When the system connects to a power source and if it detects an error, the LCD lights amber regardless of whether the system is on or off.

The LCD backlight turns **OFF** when the system is in standby mode. It can turn on by pressing the LCD panel's Select, Left, or Right buttons.

The LCD backlight remains **OFF** if LCD messaging is off through the iDRAC utility, the LCD panel, or other tools.

**Figure A-1: LCD Panel Features**



Table 12: LCD Panel Features Description

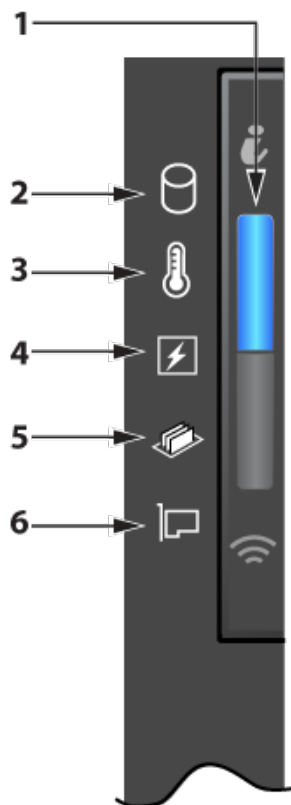
Item	Button	Description
1	Left	Moves the cursor back in one-step increments.
2	Select	Selects the menu item highlighted by the cursor.
3	Right	Moves the cursor forward in one-step increments. During message scrolling: <ul style="list-style-type: none"> <li>• Press and hold the right button to increase the scrolling speed.</li> <li>• Release the button to stop.</li> </ul>
4	LCD display	Displays system information, status, and error messages or iDRAC IP address.

## A.2 Status LED Indicators



**Note:** The indicators display solid amber if any error occurs.





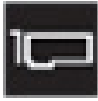
Figure A-2: LCD Panel Features



**Table 13: Status LED Indicators and Descriptions**

Item	Description
1	The health indicator indicates the health status of the system. The indicator turns solid blue if the system is on and in good health. The indicator flashes amber if the system is on or on standby and any issue occurs (for example, a failed fan or drive).
2	The drive indicator flashes amber if an error related to the drive occurs.
3	The electrical indicator flashes amber if an electrical error occurs (for example, voltage out of range or a failed power supply unit or voltage regulator).
4	The temperature indicator flashes amber if a thermal error occurs (for example, temperature out of range or fan failure).
5	The memory indicator flashes amber if a memory error occurs.
6	The PCIe indicator flashes amber if an error related to the PCIe card occurs.

**Table 14: Icons Description**

Icon	Description	Condition	Corrective Action
	Drive Indicator	The indicator turns solid amber if there is a drive error.	<ul style="list-style-type: none"> <li>Check the System Event Log to determine if the drive has an error.</li> <li>Run the appropriate Online Diagnostics test. Restart the system and run embedded diagnostics (ePSA).</li> <li>Restart the system and enter the host adapter's configuration utility program when the drives are configured in a RAID array.</li> </ul>
	Temperature Indicator	The indicator turns solid amber if the system experiences a thermal error (for example, the ambient temperature is out of range or there is a fan failure).	<p>Ensure that none of the following conditions exist:</p> <ul style="list-style-type: none"> <li>A cooling fan has been removed or has failed.</li> <li>The system cover, air shroud, memory module blank, or back filler bracket is not there.</li> <li>The ambient temperature is too high.</li> <li>The system obstructs the external airflow.</li> </ul>
	Electrical Indicator	The indicator turns solid amber if the system experiences an electrical error (for example, voltage out of range or a failed power supply unit (PSU) or voltage regulator).	Check the System Event Log or system messages for the specific issue. If it is due to a problem with the PSU, check the LED on the PSU. Reseat the PSU.
	Memory Indicator	The indicator turns solid amber if a memory error occurs.	Check the System Event Log or system messages for the location of the failed memory. Reseat the memory module.
	PCIe Indicator	The indicator turns solid amber if a PCIe card experiences an error.	Restart the system. Update any required drivers for the PCIe card. Reinstall the card.

### A.2.1 iDRAC Direct LED Indicator Codes

The iDRAC Direct LED indicator indicates that the port is connected and part of the iDRAC subsystem.

You can configure iDRAC Direct using a USB to micro USB (type AB) cable to connect to your laptop or tablet. The following table describes iDRAC Direct activity when the iDRAC Direct port is active.

The iDRAC Direct LED indicator codes table describes the iDRAC status when it is solid green, flashing green, and turned off.

**Table 15: iDRAC Direct LED Indicator Codes**

iDRAC Direct LED Indicator Code	Condition
Solid green for two seconds.	Indicates that the laptop or tablet is connected.
Flashing green (on for two seconds and off for two seconds).	Indicates that the laptop or tablet connection is recognized.
LED indicator off	Indicates that the laptop or tablet is unplugged.

### A.2.1.1 iDRAC Quick Sync 2 Indicator Codes

The left control panel has the iDRAC Quick Sync 2 module (optional) on the system.

**Figure A-3: iDRAC Quick Sync 2 Indicators**



This table describes the Quick Sync status indicators. The indicator statuses are Off, which is the default state: Solid white, blinks white rapidly, blinks white slowly, blinks white five times rapidly and then turns off, solid amber, and blinking amber.

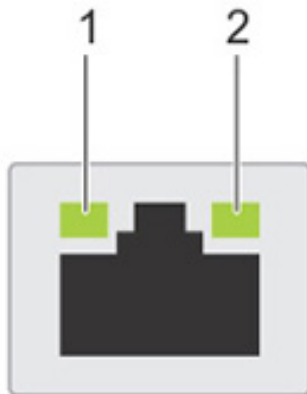
**Table 16: iDRAC Quick Sync 2 Indicators and Descriptions**

iDRAC Quick Sync 2 indicator code	Condition	Corrective action
Off (default state)	Indicates that the iDRAC Quick Sync 2 feature is off. Press the iDRAC Quick Sync 2 button to turn on the iDRAC Quick Sync 2 feature.	Reseat the <b>left control panel flex</b> cable and check if the LED fails to turn on.
Solid white	Indicates that iDRAC Quick Sync 2 is ready to communicate. Press the iDRAC Quick Sync 2 button to turn it off.	If the LED fails to turn off, restart the system.
Blinks white rapidly	Indicates data transfer activity.	
Blinks white slowly	Indicates that a firmware update is in progress.	
Blinks white five times rapidly and then turns off	Indicates that the iDRAC Quick Sync 2 feature is disabled.	Check if iDRAC disables the iDRAC Quick Sync 2 feature configuration.
Solid amber	Indicates that the system is in fail-safe mode.	Restart the system.
Blinking amber	Indicates that the iDRAC Quick Sync 2 hardware is not responding properly.	Restart the system.

### A.3 NIC Indicator Codes

Each NIC on the back of the system has indicators that provide information about the activity and link status. The activity LED indicator indicates if data is flowing through the NIC, and the link LED indicator indicates the speed of the connected network.

**Figure A-4: NIC LED**



1. Link LED indicator
2. Activity LED indicator

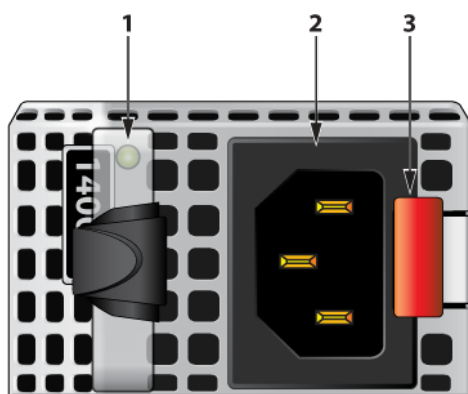
The NIC indicators table describes different NIC indicator codes and connectivity conditions.

**Table 17: NIC Indicator Codes**

Status	Condition
Link and activity indicators are off.	The NIC is not on the network.
The link indicator is green, and the activity indicator is blinking green.	The NIC is on a valid network at maximum port speed, and data is being sent or received.
The link indicator is amber, and the activity indicator is blinking green.	The NIC is on a valid network at less than its maximum port speed, and data is being sent or received.
The link indicator is green, and the activity indicator is off.	The NIC is on a valid network at maximum port speed, and data is not being sent or received.
The link indicator is amber, and the activity indicator is off.	The NIC is on a valid network at less than its maximum port speed, and data is not being sent or received.
The link indicator is blinking green, and the activity is off.	NIC identity is enabled through the NIC configuration utility.

## A.4 Power Supply Unit Indicator Codes






AC power supply units (PSUs) have an illuminated translucent handle that is an indicator. The indicator shows whether power is present or if a power fault has occurred.

**Figure A-5: Power Supply Unit Indicators**

1	AC PSU status indicator/handle
2	Socket
3	Release latch

This table describes the AC PSU status indicators and their condition when the power indicator light is green, blinking green, blinking amber, and not illuminated.

**Table 18: AC PSU Status Indicator Codes**

Power Indicator Codes	Condition
Green	The PSU connects to a valid power source, and the PSU is operational.
Blinking amber	Indicates a problem with the PSU.
Not illuminated	The PSU does not have power.
Blinking green	<p>The PSU handle blinks green through the firmware update.</p> <div data-bbox="626 432 1515 510" style="border: 1px solid black; padding: 5px;">  <b>CAUTION:</b> Do not disconnect the power cord or unplug the PSU when updating the firmware. If the firmware update is interrupted, the PSUs do not function.         </div>
Blinking green and turns off	<p>When hot-plugging a PSU, the PSU handle blinks green five times at a rate of 4 Hz and turns off. It indicates a PSU mismatch concerning efficiency, feature set, health status, or supported voltage.</p> <div data-bbox="626 642 1515 785" style="border: 1px solid black; padding: 5px;">  <b>CAUTION:</b> If the system has two PSUs, both PSUs must have the same type of label; for example, an Extended Power Performance (EPP) label. Mixing PSUs from previous generations of PowerEdge servers is not supported, even if the PSUs have the same power rating. This results in a PSU mismatch or failure to turn the system on.         </div> <div data-bbox="626 821 1515 940" style="border: 1px solid black; padding: 5px;">  <b>CAUTION:</b> Replace only the PSU with the blinking indicator when correcting a PSU mismatch. Swapping the PSU to make a matched pair can result in an error condition and unexpected system shutdown. You must turn off the system to change from a high output configuration to a low output configuration or vice versa.         </div> <div data-bbox="626 976 1515 1073" style="border: 1px solid black; padding: 5px;">  <b>CAUTION:</b> AC PSUs support 240 V and 120 V input voltages, except for Titanium PSUs, which support only 240 V. When two identical PSUs receive different input voltages, they can output different wattages and trigger a mismatch.         </div> <div data-bbox="626 1108 1515 1178" style="border: 1px solid black; padding: 5px;">  <b>CAUTION:</b> If the system has two PSUs, they must be the same type and have the same maximum output power.         </div>

## Rack Installation

---

This section includes the following topics:

- [Rack Installation](#)
- [Two-Post Rack Mount Parts](#)

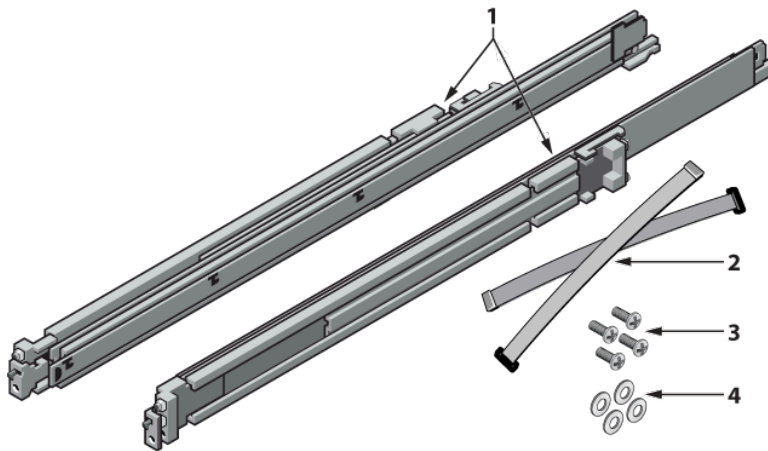
### B.1 Rack Installation

Use the following steps to assemble the racking rails and attach the components to the system.

#### 1. Identifying the Rail Kit Contents.

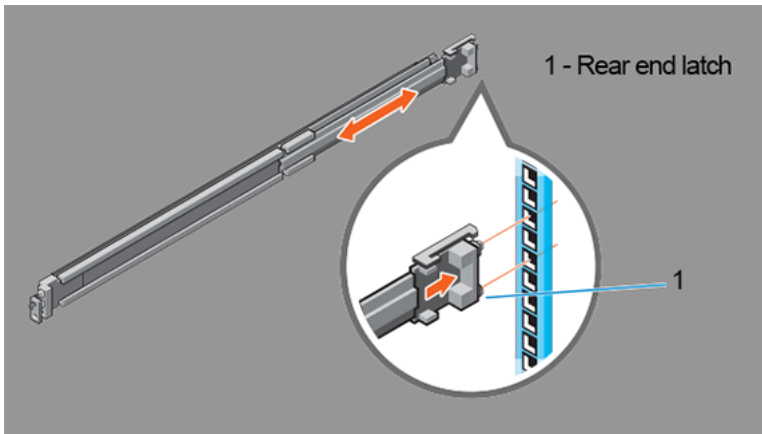
Locate the components for installing the rail kit assembly:

- Two sliding rail assemblies (1).
- Two hook and loop straps (2).



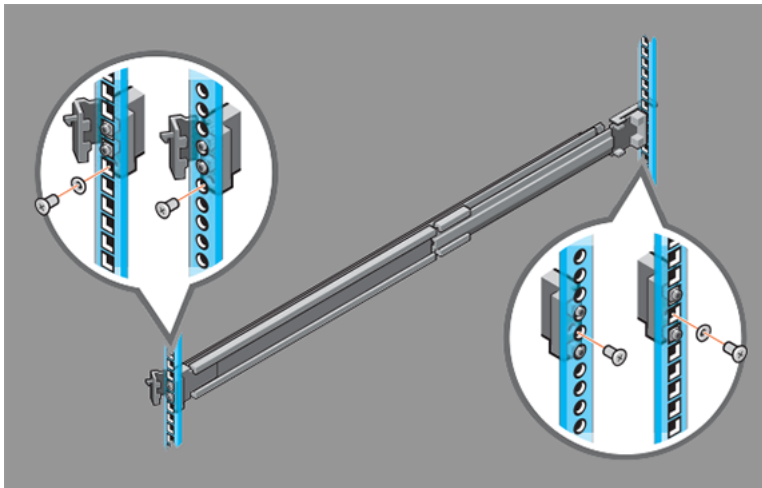
#### 2. Installing and Removing Toolless Rails (Square Hole or Round Hole Racks).

- Position the left and right rail end pieces labeled FRONT facing inward and orient each end piece to seat in the holes on the front side of the vertical rack flanges (1).
- Align each end piece in the bottom and top holes of the desired U spaces (2).
- Engage the rail's back end until it fully sits on the vertical rack flange and the latch clicks into place. Repeat these steps to position and seat the front end piece on the vertical rack flange (3).
- Pull the latch release button on the end piece midpoint to remove the rails and unseat each rail (4).



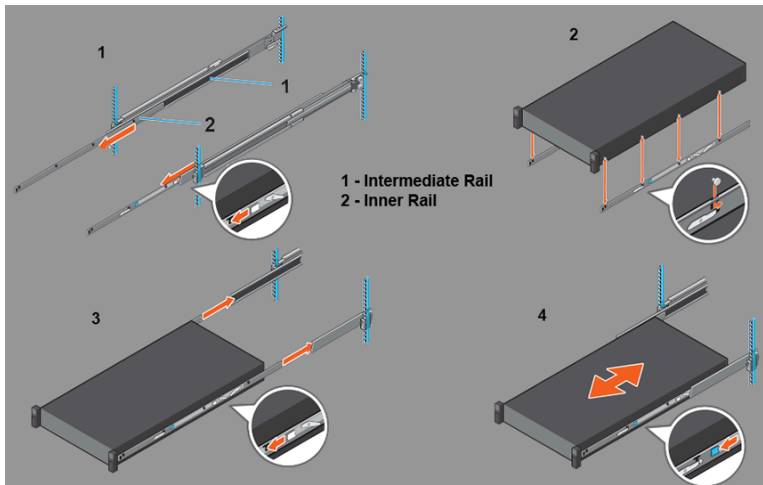
**3. Installing and Removing Tooled Rails (Threaded Hole Racks).**

- a. Remove the pins from the front and rear mounting brackets using a flat-tipped screwdriver (1).
- b. Pull and rotate the rail latch sub-assemblies to remove them from the mounting brackets (2).
- c. Attach the left and right mounting rails to the front vertical rack flanges using two pairs of screws (3).
- d. Slide the left and right back brackets forward against the rear vertical rack flanges and attach them using two pairs of screws (4).



**4. Installing the System in a Rack.**

- a. Pull the inner slide rails out of the rack until they lock into place (1).
- b. Locate the rear rail standoffs on each side of the system and lower them into the rear J-slots on the slide assemblies (2).
- c. Rotate the system downward until all the rail standoffs are seated in the J-slots (3).
- d. Push the system inward until the lock levers click into place. Press the slide-release lock buttons on both rails and slide the system into the rack (4).



### 5. Removing the System From the Rack.

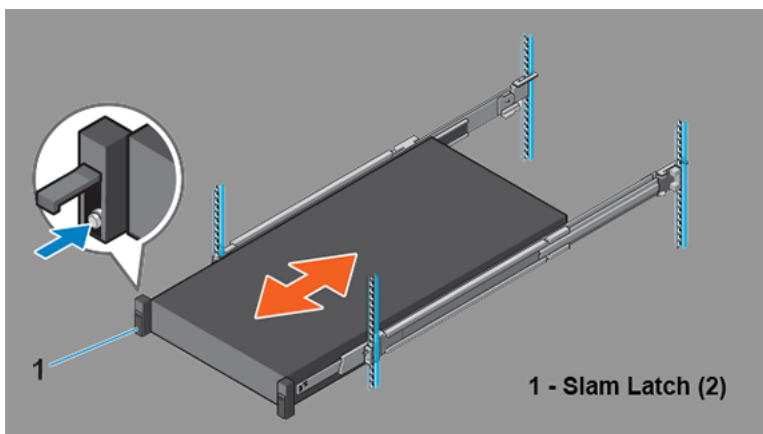
- a. Locate the lock levers on the sides of the inner rails (1).
- b. Unlock each lever by rotating it to its release position (2).
- c. Grasp the sides of the system firmly and pull it forward until the rail standoffs are at the front of the J-slots. Lift the system up and away from the rack and place it on a level surface (3).

### 6. Engaging and Releasing the Slam Latch.



**Note:** For systems not equipped with slam latches, secure the system using screws, as described in Step C of this procedure.

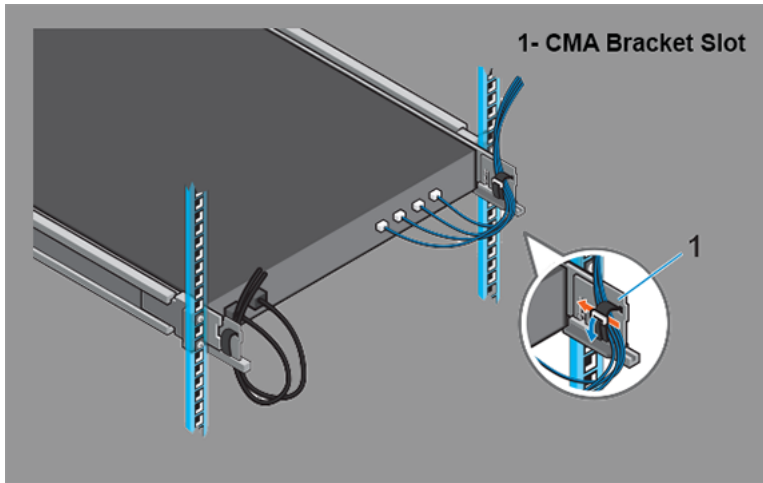
- a. Facing the front, locate the slam latch on either side of the system (1).
- b. The latches engage automatically as the system is pushed into the rack and are released by pulling up on the latches (2).
- c. To secure the system for shipment in the rack or other unstable environments, locate the hard-mount screw under each latch and tighten each screw with a #2 Phillips screwdriver (3).



### 7. Routing the Cables.

- a. Locate the outer brackets on the interior sides of both rack flanges (1).
- b. Bundle the cables gently, pulling them from the system connectors to the left and right sides (2).

- c. Thread the hook and loop straps through the tool slots on the outer brackets on each side of the system to secure the cable bundles (3).

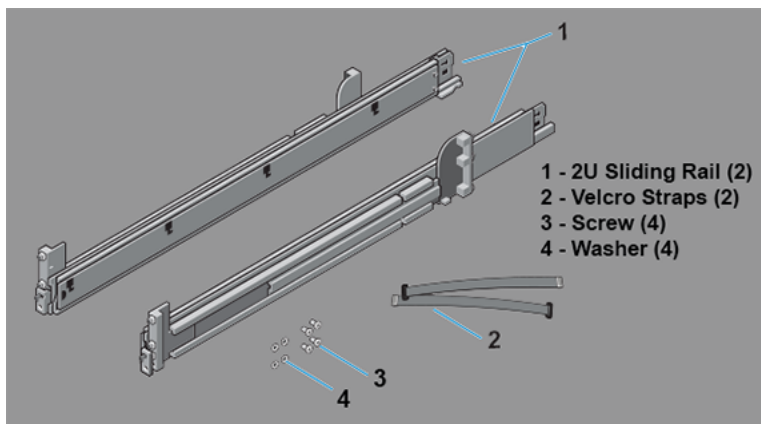


## B.2 Two-Post Rack Mount Parts

The two-post rack mount kit includes:

- Two sliding rail assemblies.
- Two hook and loop straps.

**Figure B-1: Two-Post Rack Mount Parts**



## Front and Rear View of the System

---

Refer to the *DMF Recorder Node Specification* section in the *DMF Hardware Guide* document available at [arista.com](http://arista.com).

## RoHS Declaration Statements

Figure D-1: Chinese RoHS Statement

用户须知  
Arista Networks  
产品信息《适用于中华人民共和国》

按照中华人民共和国电子行业标准 SJ/T11364-2014《电子电气产品有害物质限制使用标识》的要求，本文档提供相关产品信息。

表 1 列出了 Arista Networks 产品（包括部件）中超出 GB/T 26572 限制的有毒有害物质或元素。


部件名称	有毒有害物质和元素 Toxic or hazardous Substances and Elements					
	铅 (Pb)	汞 (Hg)	镉 (Cd)	六价铬 (Cr6+)	多溴联苯 (PBB)	多溴联苯醚 (PBDE)
金属外壳	0	0	0	0	0	0
印刷电路板组件	X	0	0	0	0	0
紧固件	X	0	0	0	0	0
电缆	X	0	0	0	0	0
安装硬件	0	0	0	0	0	0
线缆	0	0	0	0	0	0

0: 表示该部件的所有均质材料中的有毒有害物质含量低于 GB/T 26572 的限量值。  
X: 表示该部件的所有均质材料中至少一种有毒有害物质含量高于 GB/T 26572 的限量值。

按照 GB/T 26572 的要求，Arista Networks 于中华人民共和国境内销售的所有产品均标有电子电气产品有害物质限制使用标识，以下标识适用于 Arista Networks 产品。

该标识说明，产品的某些均质材料中的有毒有害物质或元素含量超出 GB/T 26572 的限量值，已于表 1 列出这些物质。

某些产品由于尺寸或功能的限制，无法进行直接标记，这些产品也符合 SJ/T11364-2014 的要求，本文包含其标识信息。



上图所示的 20 指产品的环保使用年限 (EUP)。环保使用年限是指从生产日期开始，产品中的有毒有害物质或元素，在按照产品用户文档所述的正常使用条件下，不会发生外溢或突变、对环境造成严重污染或对人身、财产造成严重损害的时间。

注：除中华人民共和国法律强制性规定中的明确需求外，Arista Networks 不对环保使用年限做任何明示或暗示的陈述或保证，并明确表示不对环保使用年限承担任何明示或暗示的陈述或保证。

For the Taiwan BSMI RoHS Table, go to <https://www.arista.com/assets/data/pdf/AristaBSMIRoHS.pdf>.