

Connecting Serial and Management Cables

The front panel contains the console, management, and USB ports. [Figure 5-1](#) displays the ports on the DCS-7010T-48 switch. [Appendix D](#) displays the front panel of all switches covered by this guide.

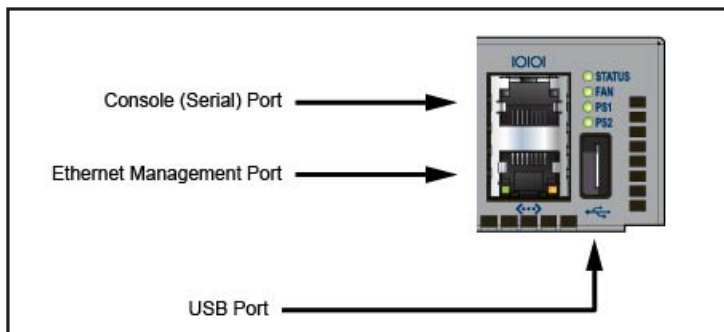


Figure 5-1: Front Panel Ports

Connect the front panel ports as follows:

- **Console (Serial) Port:** Connect to a PC with a serial adapter cable. The switch uses the following default settings:
 - 9600 baud
 - No flow control
 - 1 stop bit
 - No parity bits
 - 8 data bits
- **Ethernet Management Port:** Connect to 100/1000 management network with RJ-45 Ethernet cable.
- **USB Port:** The USB port may be used for software or configuration updates.

Caution Excessive bending can damage interface cables, especially optical cables.

