

ARISTA

QUICK START GUIDE

720XPM and 720XDM Series Cognitive Campus Switches

CCS-720XPM-48TH-6SY



Headquarters	Support	Sales
5453 Great America Parkway Santa Clara, CA 95054 USA +1-408-547-5500	+1-408-547-5502 +1-866-476-0000	+1-408-547-5501 +1-866-497-0000
www.arista.com/en/	support@arista.com	sales@arista.com

© Copyright 2026 Arista Networks, Inc. All rights reserved. The information contained herein is subject to change without notice. The trademarks, logos, and service marks ("Marks") displayed in this documentation are the property of Arista Networks in the United States and other countries. Use of the Marks is subject to the Arista Networks Terms of Use Policy, available at www.arista.com/en/terms-of-use. Use of marks belonging to other parties is for informational purposes only.

Contents

- Chapter 1: Overview.....1**
 - 1.1 Scope.....1
 - 1.2 Receiving and Inspecting the Equipment.....1
 - 1.3 Installation Process.....1
 - 1.4 Safety Information.....2
 - 1.5 Obtaining Technical Assistance.....2
 - 1.6 Specifications.....3

- Chapter 2: Preparation.....5**
 - 2.1 Site Selection.....5
 - 2.2 Tools and Parts Required for Installation.....6
 - 2.3 Electrostatic Discharge (ESD) Precautions.....7

- Chapter 3: Rack Mounting the Switch..... 8**
 - 3.1 Two-Post or Four-Post Rack Mount.....8
 - 3.1.1 Attaching Mounting Brackets to the Chassis.....8
 - 3.2 Four-Post Rack Mount..... 10
 - 3.2.1 Attaching Mounting Brackets to the Chassis.....10
 - 3.2.2 Assembling the Rails onto the Equipment Rack..... 11
 - 3.2.3 Attaching the Switch to the Rack..... 13

- Chapter 4: Cabling the Switch..... 15**
 - 4.1 Grounding the Switch..... 15
 - 4.2 Connecting Power Cables..... 15
 - 4.3 Connecting Serial and Management Cables.....19

- Chapter 5: Configuring the Switch.....21**

- Appendix A: Status Indicators.....23**
 - A.1 Front Indicators..... 23
 - A.2 Rear Status Indicators..... 25

- Appendix B: Part List..... 28**
 - B.1 Rack Mount Parts..... 28
 - B.2 Cables..... 29

- Appendix C: Front Panel..... 30**

- Appendix D: Rear Panel..... 31**

Appendix E: Maintenance and Field Replacement.....	32
E.1 Considerations.....	32
E.2 Power Supplies.....	32
E.3 Fan Modules.....	34
 Appendix F: Regulatory Model Numbers.....	 35
 Appendix G: Taiwan RoHS Information.....	 36

Overview

The Overview section reviews the following topics:

- [Scope](#)
- [Receiving and Inspecting the Equipment](#)
- [Installation Process](#)
- [Safety Information](#)
- [Obtaining Technical Assistance](#)
- [Specifications](#)

1.1 Scope

This guide is intended for properly trained service personnel and technicians who need to install the following Arista Networks Cognitive Campus Switches:

CCS-720XPM-48TH-6SY

Note:



Only qualified personnel should install, service, or replace this equipment.

Seul le personnel qualifié doit installer, service, ou remplacer cet équipement.

1.2 Receiving and Inspecting the Equipment

Upon receiving the switch, inspect the shipping boxes and record any external damage. Retain packing materials if you suspect that part of the shipment is damaged; the carrier may need to inspect them.

If the boxes were not damaged in transit, unpack them carefully. Ensure that you do not discard any accessories that may be packaged in the same box as the main unit.

Inspect the packing list and confirm that you received all listed items. Compare the packing list with your purchase order. [Part List](#) provides a list of components included with the switch.

1.3 Installation Process

Tasks required to install and use the switch:

1. Select and prepare the installation site ([Site Selection](#)).
2. Assemble the installation tools listed ([Tools and Parts Required for Installation](#)).
3. Attach the mounting brackets and install the switch in an equipment rack ([Rack Mounting the Switch](#)).
4. Connect the switch to the power source and network devices ([Cabling the Switch](#)).

5. Configure the switch ([Configuring the Switch](#)).

Note:

Class 1 Laser Product: This product has provisions to install Class 1 laser transceivers which provide optical coupling to the communication network. Once a Class 1 laser product is installed, the equipment is a Class 1 Laser Product. The customer is responsible for selecting and installing the Class 1 laser transceiver and for insuring that the Class 1 AEL (Allowable Emission Limit) per EN/IEC 60825, CSA E60825-1, and Code of Federal Regulations 21 CFR 1040 is not exceeded after the laser transceiver have been installed. Do not install laser products whose class rating is greater than 1. Refer to all safety instructions that accompanied the transceiver prior to installation. Only Class 1 laser devices, certified for use in the country of installation by the cognizant agency are to be utilized in this product.

Ultimate disposal of this product should be handled in accordance with all national laws and regulations.



Produit Laser de classe 1: Ce produit a des dispositions pour installer des émetteurs-récepteurs de laser de classe 1 qui offre de couplage au réseau de communication optique. Une fois un produit laser de classe 1 est installé, l'équipement est un produit Laser de classe 1 (Appareil à Laser de Classe 1). Le client est responsable pour sélectionner et installer l'émetteur/récepteur de laser de classe 1 et pour assurer que la classe 1 AEL (limite d'émission admissible) par EN/IEC 6-825, CSA E60825-1, et Code des règlements fédéraux 21 CFR 1040 ne soit pas dépassée après avoir installé l'émetteur/récepteur de laser. Ne pas installer des appareils à laser dont la cote de classe est supérieure à 1. Voir toutes les consignes de sécurité qui ont accompagné l'émetteur-récepteur avant l'installation. Seuls appareils laser de classe 1 certifiés pour une utilisation dans le pays d'installation par l'organisme compétent doivent être utilisées dans ce produit.

L'élimination finale de ce produit doit être conforme à toutes les lois et réglementations applicables.

1.4 Safety Information

Refer to the Arista Networks document Safety Information and Translated Safety Warnings available at: <https://www.arista.com/en/support/product-documentation>.

1.5 Obtaining Technical Assistance

Any customer, partner, reseller or distributor holding a valid Arista Service Contract can obtain technical support in any of the following ways:

- **Email:** support@arista.com. This is the easiest way to create a new service request.

Include a detailed description of the problem and the output of “show tech-support”.

- **Web:** <https://www.arista.com/en/support>.

A support case may be created through the support portal on our website. You may also download the most current software and documentation, as well as view FAQs, Knowledge Base articles, Security Advisories, and Field Notices.

- **Phone:** +1 866-476-0000 or +1 408-547-5502.

Note:

No user serviceable parts inside. Refer all servicing to qualified service personnel.

Aucune pièce réparable par l'utilisateur à l'intérieur. Confiez toute réparation à un technicien qualifié.

1.6 Specifications

Table 1: Switch Specifications (Dimensions and Weights)

Switch	Size (W x H x D)	Weight
CCS-720XPM-48TH-6SY	44.5 x 4.4 x 42.0 cm (17.5 x 1.75 x 16.8 inches)	7.5 kg (16.7 lbs.)

Table 2: Switch Specifications (Operational and Storage)

Switch	Operating Temperature	Storage Temperature	Operating Altitude	Relative Humidity
All	0° to 40°C (32° to 104°F)	-25° to 70°C (-13° to 158°F)	0 to 3,000 meters (0 to 10,000 feet)	5 to 90% (non-condensing)

Table 3: Switch Power Supply Specifications (Power Input - AC)

Power Source	PSU Models	Ratings
Input (AC Power)	PWR-1022-AC	100 - 240 VAC, 12 to 5.0 A, 50/60 Hz
Input (AC Power)	PWR-2022-AC	200 - 240 VAC, 11 A, 50/60 Hz 220 - 240 VAC, 10.5 A, 50/60 Hz

Table 4: Switch Power Supply (Power Input - DC)

Power Source	PSU Models	Ratings	Over-current Protection (Branch Circuit)
Input (DC Power)	PWR-322-DC	-40 to -72 VDC, 6.85 A @ 48 VDC -40 to -72 VDC, 5.44 A @ 60 VDC	TBD A

Note:

The following table lists the default PSU compatibility for all switches described in this guide . Some switches could use power supplies that may no longer be available or other PSUs besides the default shown. Contact your local Arista representative for more information.

For switches that support both forward and reverse airflows, add -RED or -BLUE to the PSU model for the airflow desired.

Table 5: Switch Specifications (Power Draw)

Switch	Power Draw (Typical / Maximum) ¹	Supported Power Supply	PoE Power Budget Single / Dual PSU
CCS-720XPM-48TH-6SY	57W / 70W	PWR-1022-AC PWR-2022-AC	980 W / 2030 W 1930 W / 3930 W

¹ Excluding PoE Power.

Preparation

The Preparation section reviews the following topics:

- [Site Selection](#)
- [Tools and Parts Required for Installation](#)
- [Electrostatic Discharge \(ESD\) Precautions](#)

2.1 Site Selection

The following criteria should be considered when selecting a site to install the switch:

- **Temperature and Ventilation:** For proper ventilation, install the switch with ample airflow to the front and back of the switch. The ambient temperature should not go below 0° or exceed 40°C.

Note:



To prevent the switch from overheating, do not operate it in an area where the ambient temperature exceeds 40°C (104°F).

Pour empêcher l'interrupteur de surchauffer, ne pas utiliser il dans une zone où la température ambiante est supérieure à 40°C (104°F).

- **Airflow Orientation:**

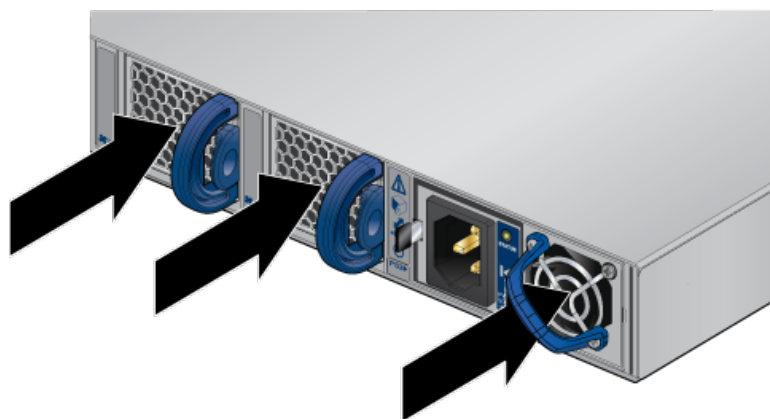
The fans and PSUs determine the direction of airflow through the switch. The color of the visible handles or labels indicate the airflow direction.



Note: The figures shown use representative Arista switches to illustrate airflow directions. Refer to rear panel to determine the airflow for your switch.

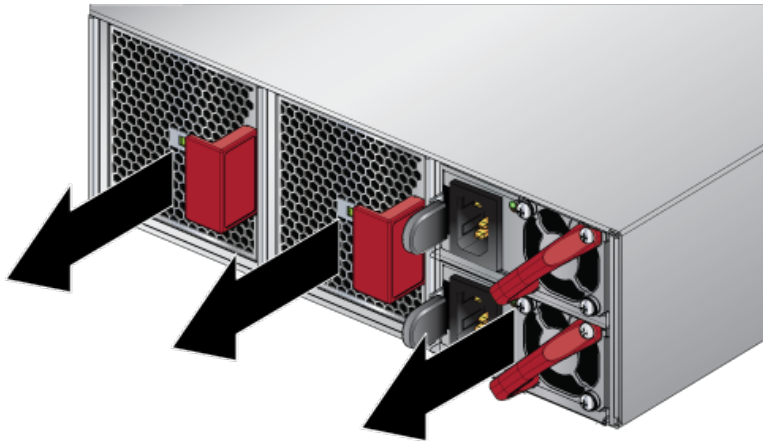
- **Blue Handle:** Air Inlet module. The following figure shows the airflow through the switch with air inlet modules:

Figure 2-1: Air Inlet Module



- **Red Handle:** Air Exit module. The following figure shows the airflow through the switch with air exit modules:

Figure 2-2: Air Exit Module



Orient the switch such that the airflow through the switch is from the cooler to the hotter aisle. If the airflow direction is not compatible with the installation site, contact your sales representative.

- **Rack Space:** Install the switch in a 19" rack or cabinet. The switch height is 1 RU. The accessory kit provides mounting brackets for two-post and four-post racks.

When mounting the switch in a partially filled rack, load the rack from bottom to top, with the heaviest equipment at the bottom. Load the switch at the bottom if it is the only item in the rack.

- **Power Requirements:** Power requirements vary by switch and power supply model. Refer to [Specifications](#) for information regarding your specific system.

Two circuits provide redundancy protection. [Cabling the Switch](#) describes power cable requirements.



Note: The power input plug-socket combination must be accessible at all times; it provides the primary method of disconnecting power from the system.

La combinaison de la puissance-prise d'entrée doit être accessible en tout temps ; Il fournit le principal moyen de coupure d'alimentation du système.

- **Other Requirements:** Select a site where liquids or objects cannot fall onto the equipment and foreign objects are not drawn into the ventilation holes. Verify these guidelines are met:
 - Clearance areas to the front and rear panels allow for unrestricted cabling.
 - All front and rear panel indicators can be easily read.
 - Power cords can reach from the power outlet to the connector on the rear panel.



Note: All power connections must be removed to de-energize the unit.

Toutes les connexions d'alimentation doivent être enlevées pour hors tension l'appareil.

2.2 Tools and Parts Required for Installation

Each switch provides an accessory kit containing parts required to install the switch. In addition to the accessory kit, the following tools and equipment are required to install the switch:

Two-Post Rack

- Screws or rack mounting nuts and bolts.

- Screwdriver

Four-Post Rack (Tool-less)

No additional equipment required.

Four-Post Rack (Conventional)

- Screws or rack mounting nuts and bolts.
- Screwdriver

Accessory kit does not include screws for attaching the switch to the equipment rack. When installing the switch into an equipment rack with unthreaded post holes, nuts are also required to secure the switch to the rack posts.

2.3 Electrostatic Discharge (ESD) Precautions

Observe these guidelines to avoid ESD damage when installing or servicing the switch.

- Assemble or disassemble equipment only in a static-free work area.
- Use a conductive work surface (such as an anti-static mat) to dissipate static charge.
- Wear a conductive wrist strap to dissipate static charge accumulation.
- Minimize handling of assemblies and components.
- Keep replacement parts in their original static-free packaging.
- Remove all plastic, foam, vinyl, paper, and other static-generating materials from the work area.
- Use tools that do not create ESD.

Rack Mounting the Switch

The Rack Mounting the Switch section reviews the following topics:

- [Two-Post or Four-Post Rack Mount](#)
 - [Attaching Mounting Brackets to the Chassis](#)
 - [Inserting the Switch into the Rack](#)



Note: The rack mounting procedure is identical for all switches covered by this guide. Illustrations in this chapter depict the mounting of a DCS-7010T-48 switch.

Les procédure de montage du bâti est identique pour tous les commutateurs visés par ce guide. Illustrations dans ce chapitre montrent le montage d'un interrupteur de DCS-7010T-48.

- [Two-Post or Four-Post Rack Mount](#) provides instructions for mounting the switch in a two-post rack or four-post rack.

After completing the instructions for your rack type, proceed to [Cabling the Switch](#).



Note: Illustrations use a representative Arista switch. Your switch and the mounting brackets (ears) may be different in appearance. Use the mounting components shipped with the switch.

3.1 Two-Post or Four-Post Rack Mount

The switch can be installed in a two-post or four-post rack. The installation process is identical because the switch attaches to only two posts of a rack.

To mount the switch in a rack, assemble the mounting brackets to the chassis, then attach the brackets to the rack posts. Rack mount accessory kits include the following parts:

- 2 x mounting brackets
- 8 x M4x5 flat head Phillips screws.

The following image displays the proper bracket placement for the rack mount.

Figure 3-1: Bracket Mount Placement for Rack Mount



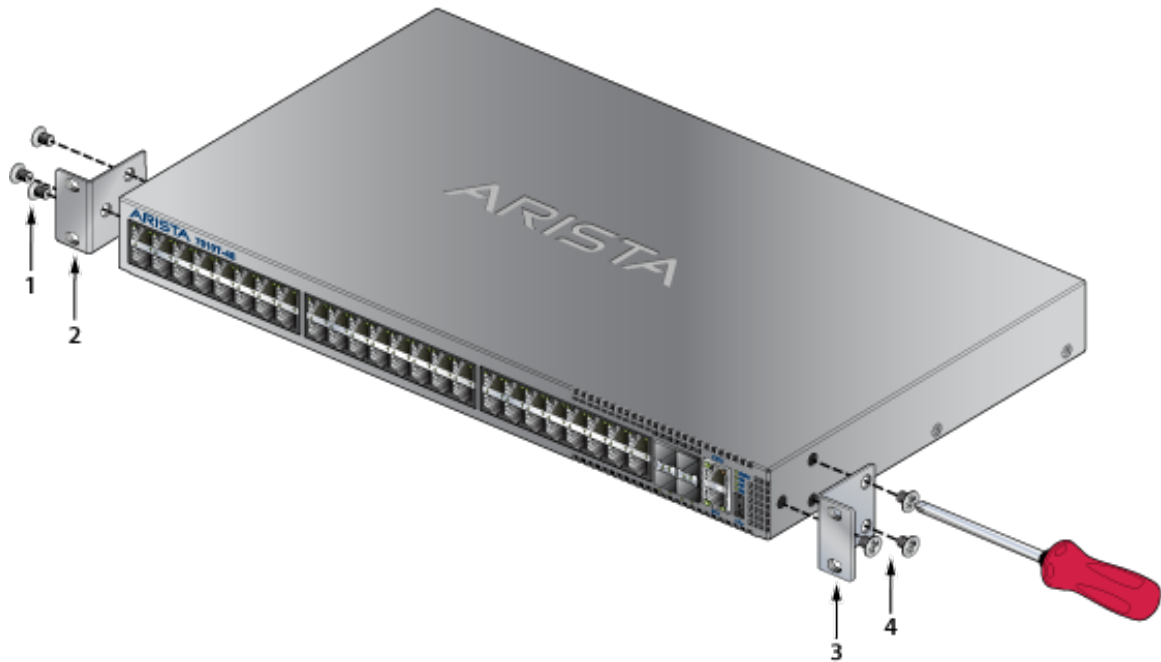
3.1.1 Attaching Mounting Brackets to the Chassis

This procedure attaches mounting brackets to the switch chassis as depicted in [Figure 3-2: Attaching Mounting Brackets to the Switch Chassis](#).

**Note:**

1. Align the mounting brackets with the sides of the chassis.
2. Use the screws to attach the brackets to the chassis.

Figure 3-2: Attaching Mounting Brackets to the Switch Chassis



3.1.2 Inserting the Switch into the Rack

This procedure attaches the switch to the rack.

1. Lift the chassis into the rack. Position the flanges against the rack posts.
2. Select mounting screws that fit your equipment rack.

3. Attach the bracket flanges to the rack posts.

Figure 3-3: Inserting the Switch into the Rack



After completing the rack mount, proceed to [Cabling the Switch](#).

3.2 Four-Post Rack Mount

This section provides instructions for mounting the switch in a four-post rack (optional KIT-7010-4POST).

The switch is mounted onto a four-post rack by assembling two rails onto the rear posts, sliding the switch onto the rails, and securing the switch to the front posts.

The installation kit provides the following four-post mounting parts:

- 2x six-hole mounting brackets
- 2x rail-rods
- 2x rail-slides

The rail-rods and rail-slides assemble into two identical slide-rails.

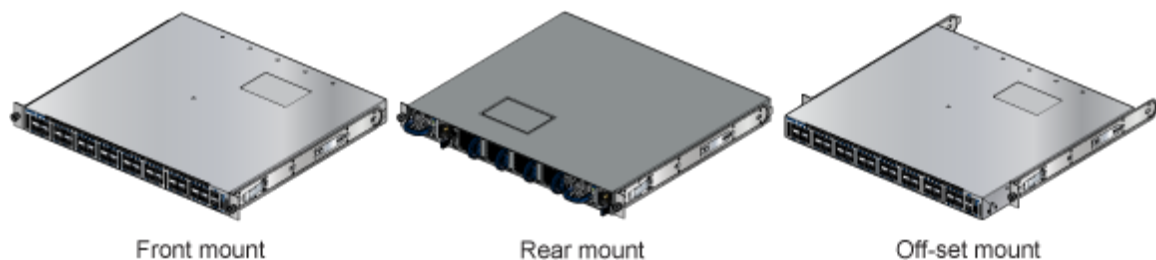
Each chassis side has attachment pins that align with bracket holes. Pin orientation is symmetric and equidistant, supporting bracket placements where the flange is flush with the front switch panel, flush with the rear panel, or not flush with either panel. Each bracket hole includes a key-opening for placing the bracket flush with the chassis and then locking it into place.



Important: Attachment pins must engage at least five of the six bracket holes.

Goupilles de fixation doivent être lock au moins cinq des trous du six support.

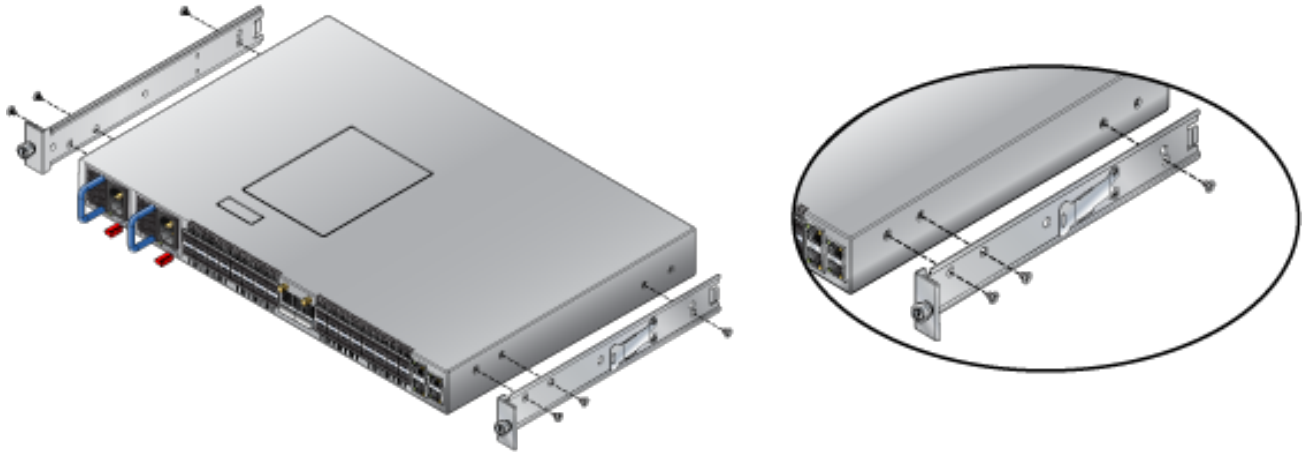
Figure 3-4: Bracket Mount Configuration for Four-Post Rack Mount (Example)



3.2.1 Attaching Mounting Brackets to the Chassis

Figure 3-5: [Attaching Mounting Brackets to the Switch Chassis](#) displays the front bracket alignment for mounting the switch into a four-post rack.

Figure 3-5: Attaching Mounting Brackets to the Switch Chassis



This procedure attaches mounting brackets to the switch chassis as depicted by [Figure 3-5: Attaching Mounting Brackets to the Switch Chassis](#).

1. Align the mounting brackets with the attachment pins to obtain the desired mounting position.
2. Place the bracket flush on the chassis with attachment pins protruding through key-openings.
3. Slide the bracket toward the front flange until the bracket clip locks with an audible click.

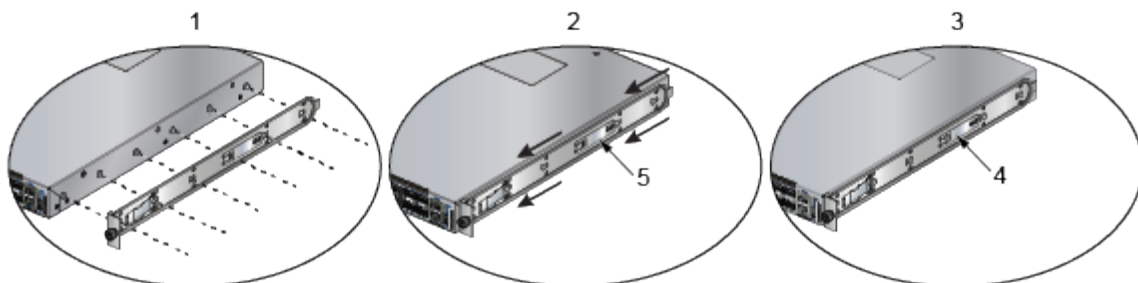
To remove the mounting bracket from the chassis, lift the front edge of the mounting bracket clip with a flathead screwdriver and slide the bracket away from the front flange (opposite from the installation direction).

3.2.2 Assembling the Rails onto the Equipment Rack

Rail-rods and rail-slides assemble into two identical rails. Each rail connects a front post to a rear post. When the rails are installed, the switch slides on the rails into the rack. Each bracket includes a screw that attaches the switch to the rail.

Each end of an assembled rail contains two rack plugs ([Attaching the Mounting Brackets to the Switch Chassis](#)). The rails are installed into a rack by inserting the plugs into rack slots. When installing rails into posts with threaded or rounded holes, remove all plugs located on both sides of the assembled rails, then install the rails with bolts that fit the rack.

Figure 3-6: Attaching the Mounting Brackets to the Switch Chassis

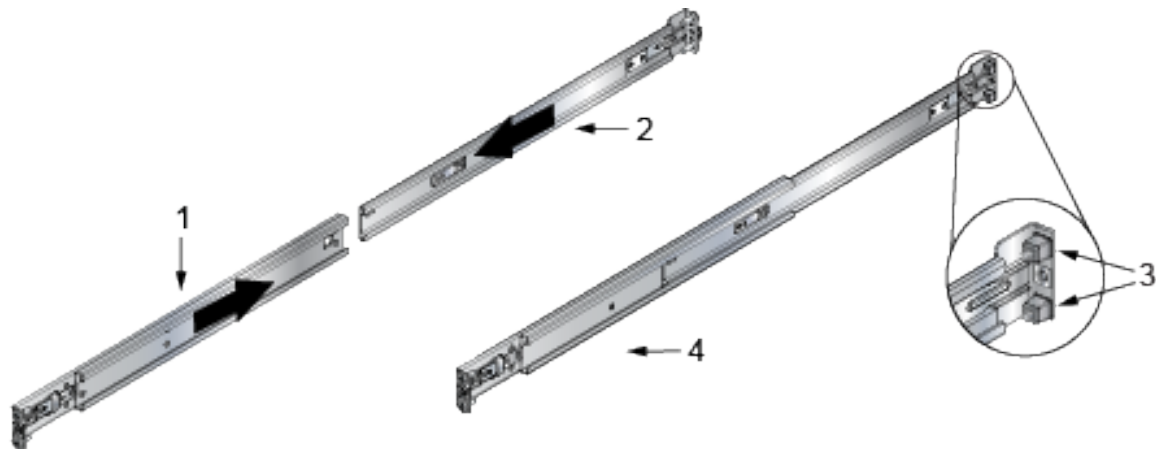


- 1 Attach rail slide to the switch
- 2 Slide rail rod onto rail slide
- 3 Attach bracket clip
- 4 Bracket clip (attached)
- 5 Bracket clip (aligned)

1. Slide a rail-rod into a rail-slide until the rail clip makes an audible click.

The rail clip prevents the extension of the rail beyond the maximum supported distance between the front and rear rack posts.

Figure 3-7: Assembling the Rails

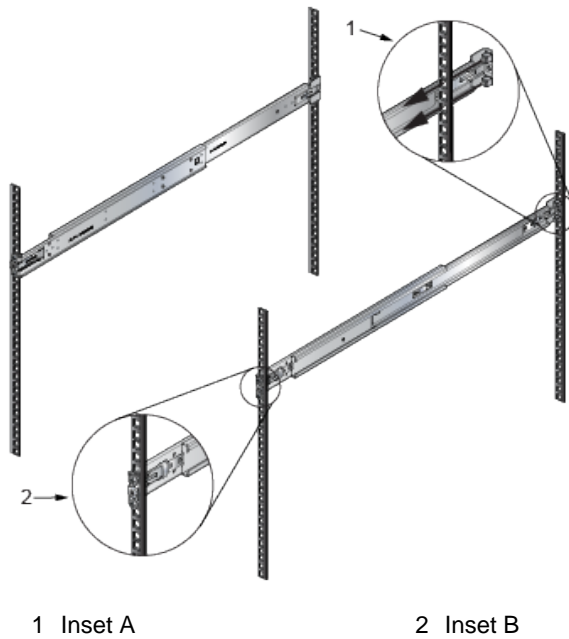


- 1 Rail-slide
- 2 Rail-rod
- 3 Rack plugs
- 4 Rail (assembled)

2. Attach rail to the right rear rack post by inserting rod-end rack plugs into post slots. The slide assembly must be on the side of the post facing the switch.
If the rack plugs were previously removed, use bolts to attach the rail to the rack.
3. Attach the slide end of the rail to the front post by extending the rail end past the post, then contracting the rail while guiding the rack plugs into the post.

- Repeat Step 1 through 3 for the left posts. Ensure the rails are on the same horizontal level.

Figure 3-8: Attaching the Rails

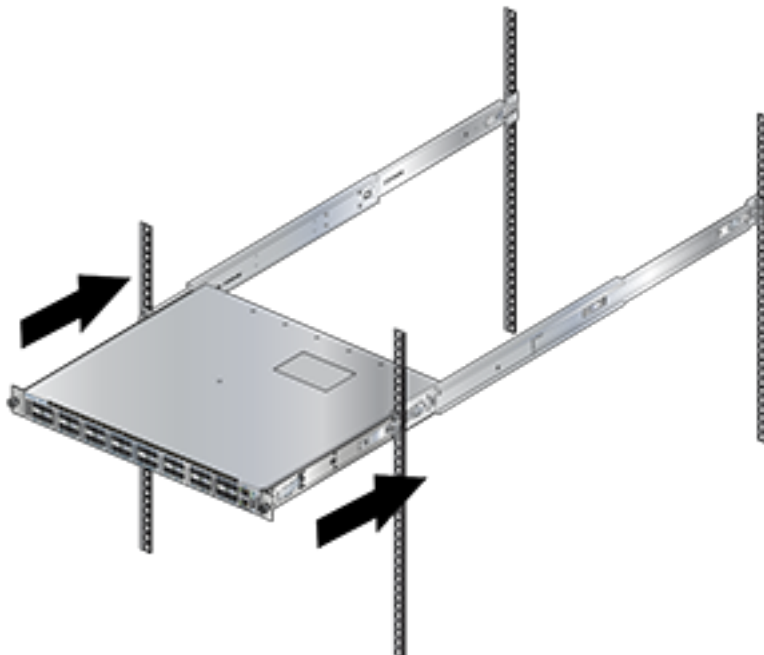


3.2.3 Attaching the Switch to the Rack

The appliance slides into the rack once the rails are installed. Each bracket includes a thumb screw that attaches the switch to the rail.

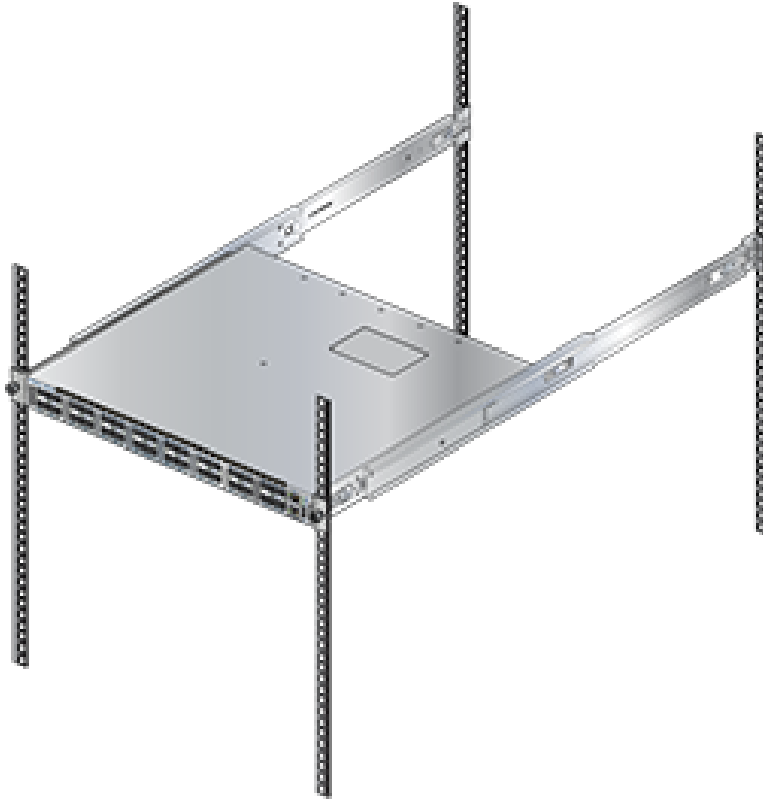
- Lift the switch into the rack and insert the mounting brackets into the slide rails.

Figure 3-9: Inserting the Switch onto the Rails



2. Slide the switch on the rails toward the rear posts until the mounting bracket flanges are flush with the rail flanges attached to the rack posts.
3. Attach the bracket flanges to the rack post using the quick-release thumb screws provided in the accessory kit.

Figure 3-10: Attaching the Switch to the Rack Posts



Cabling the Switch

The Cabling the Switch section reviews the following topics:

- [Grounding the Switch](#)
- [Connecting Power Cables](#)
 - [AC Power Supplies](#)
 - [DC Power Supplies](#)
- [Connecting Serial and Management Cables](#)

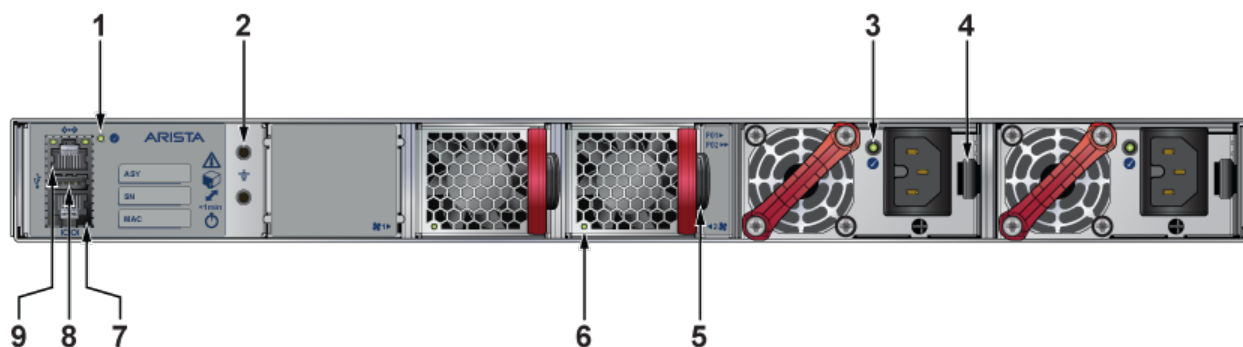
4.1 Grounding the Switch

After mounting the switch into the rack, connect the switch to the data center ground. [Figure 4-1: Earth Grounding Pad Sockets - Rear Panel](#) displays the location of the grounding pads located on the left of the rear panel.

Note: Grounding wires and grounding lugs (M4 x 0.7) are not supplied. Wire size should meet local and national installation requirements. Commercially available 6 AWG wire is recommended for installations in the U.S.

À la terre et de mise à la terre fils cosses (M4 x 0.7) ne sont pas fournis. Calibre des fils doit satisfaire des exigences de l'installation locale et nationale. Disponible dans le commerce 6 fils AWG est recommandé pour les installations aux États-Unis.

Figure 4-1: Earth Grounding Pad Sockets - Rear Panel



- | | | |
|-----------------------------|---------------------------|----------------------------|
| 1 Power Supply Status LED | 4 Power supply 1 Latch | 7 Console serial port |
| 2 Ground | 5 Fan module 2 handle | 8 USB port |
| 3 Power supply 1 status LED | 6 Fan module 2 status LED | 9 Ethernet management port |

4.2 Connecting Power Cables

Power cords are optional and must be ordered separately. You must use an approved power cord compliant with local and national electrical codes or order one from Arista for use with the device.

Note: Installation of this equipment must comply with local and national electrical codes. If necessary, consult with the appropriate regulatory agencies and inspection authorities to ensure compliance.



Installation de cet équipement doit être conformes aux codes électriques locaux et nationaux. Si nécessaire, consulter les organismes de réglementation appropriés et des autorités de contrôle pour assurer la conformité.

The switch operates with two installed power supplies. At least one power supply must connect to a power source. Two circuits provide redundancy protection. [Rear Panel](#) displays the location of the power supplies on the rear panel of the switch.

Note: Read all installation instructions before connecting the system to the power source.



Lire toutes les instructions d'installation avant de brancher le système à la source d'alimentation.

- **Non-Redundant Configuration:** Connect power to either of the two power supplies.
- **Redundant Power Supply Configuration:** Connect power to both power supplies.
- **Power down the Switch:** Remove all power cords and wires from the power supplies.

Note: This equipment must be grounded. Never defeat the ground conductor.



This unit requires overcurrent protection.

Cet équipement doit être mis à la terre. Ne jamais modifier le conducteur de terre.

Cet appareil requiert une protection contre les surintensités.

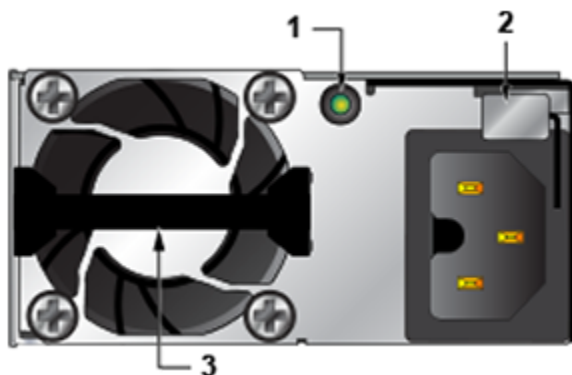
4.2.1 AC Power Supplies

The following AC power supplies are supported.

- PWR-1022-AC-RED
- PWR-2022-AC-RED

[Figure 4-2: AC Power Supply \(PWR-1021-AC-RED\)](#) displays a representative AC power supply, including the power connector (C16) on the right side of the module. The AC power supply connects to a circuit that provides the required power, as specified by [Specifications](#).

Figure 4-2: AC Power Supply (PWR-1021-AC-RED)



- | | | |
|---------------------------|-----------|----------|
| 1 Power supply status LED | 2 Release | 3 Handle |
|---------------------------|-----------|----------|

The power supplies have a C16 or C19 connector and require power cables that comply with IEC-320.

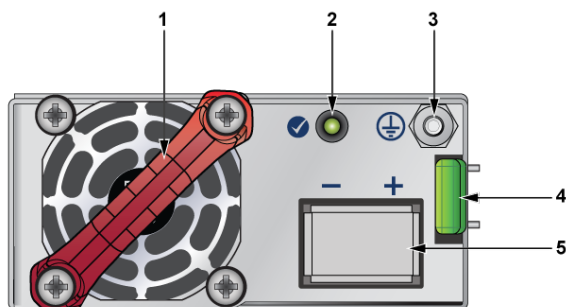
4.2.2 DC Power Supplies

The following DC power supplies are supported.

PWR-322-DC-RED

Figure 4-3: DC Power Supply (PWR-322-DC-RED) displays a representative DC power supply.

Figure 4-3: DC Power Supply (PWR-322-DC-RED)



- | | |
|---------------------------|-----------------------------------|
| 1 Handle | 4 Release |
| 2 Power supply status LED | 5 -48V Battery return (RTN) cover |
| 3 Protective earth | |

Note:

A disconnect device must be provided as part of the installation.

Assure power is removed from DC circuits before performing any installation actions. Locate the disconnect device, circuit breakers, or fuses on DC power lines servicing the circuits. Turn off the power line circuits or remove the fuses.

Wire size must comply with local and national requirements and electrical codes. Use only copper wire.

Apply ground connection to the switch first during installation and remove last when removing power.



Un dispositif de sectionnement doit être fourni dans le cadre de l'installation.

Pouvoir assurer qu'il est retiré de circuits DC avant d'effectuer des actions d'installation. Localiser les disjoncteurs ou des fusibles sur les lignes de courant continu desservant les circuits. Coupez les circuits de lignes d'alimentation ou retirez les fusibles.

Le calibre du fil doit être conforme aux exigences locales et nationales et les codes électriques. Utiliser du fil de cuivre.

Appliquer connexion à la terre à l'interrupteur premier lors de l'installation et de supprimer la dernière alimentation lors du débranchement.

4.2.2.1 Wire and Lug Preparation

Before performing any installation actions, ensure power is removed from DC circuits by turning off the power line servicing the circuits. Prepare the stranded wiring before you begin a DC power installation.



Note: Stranded copper wiring is required and should meet local and national installation requirements. Wires and grounding lugs are not supplied.

1. Attach an ESD grounding strap.
2. Prepare the stranded copper wiring for the power supply to be used. [Table 6: Wiring, Lug, and Tightening Torques for DC PSU](#) provides wiring, lug, and tightening torque information for the power supplies covered in this guide.

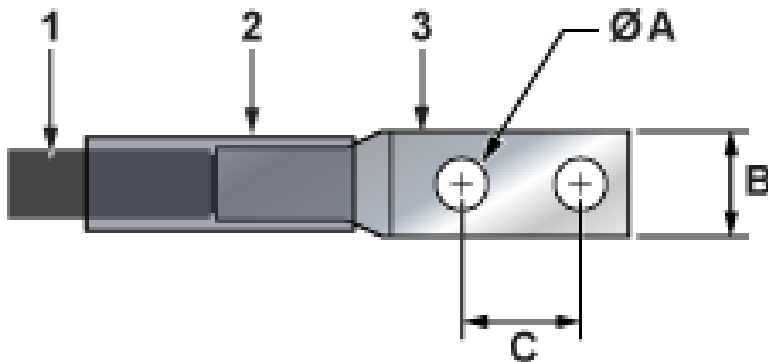
Table 6: Wiring, Lug, and Tightening Torques for DC PSU

PSU	Wire Size(1)		Lug Type(1)	Tightening Torque	
	(AWG)	(mm ²)		N-m	in-lbs.
PWR-322-DC-RED	10 - 12	6.0 - 4.0	M3.5 - single hole	1.0	9

1. Unless otherwise noted, applies to -48V, Battery return, and Protective earth wires.

3. Strip the wires to the appropriate length for the lugs to be used.
4. Use agency-approved compression (pressure) lugs for wiring terminations.
5. Slip on heat-shrink tubing on the wire ends before assembling the lugs on to the wire.
6. Crimp the lugs with the proper tool, and ensure that the tubing extends over the barrel of the lugs and the insulation on the wires ([Figure 4-4: Lugs Wiring Terminations \(two-hole lug shown\)](#)).

Figure 4-4: Lugs Wiring Terminations (two-hole lug shown)



- | | | |
|----------------------|-----------------------------|--------|
| 1 Insulated wire | 3 Lug (all three terminals) | B 1/2" |
| 2 Heat-shrink tubing | A 1/4" | C 5/8" |

7. Shrink the tubing with a heat gun.

4.2.2.2 Connecting a DC Power Supply to Power Source

To connect a DC power supply to a power source:

1. Prepare the stranded wiring ([Wire and Lug Preparation.](#))
2. Attach the appropriate lugs to the source DC wires.

3. Connect the DC-input wires to the appropriate terminals using the specified torque ([Table 6: Wiring, Lug, and Tightening Torques for DC PSU](#)) in the following order.



Note: Remove terminal covers as needed.

- a. Ground wire to the Protective Earth (PE) terminal.
 - b. Negative source DC cable to the negative (- / -48V) terminal.
 - c. Positive (+) source DC cable to the positive (+ / Rtn) terminal.
4. Replace the terminal covers as required.

Note:

Assure power is removed from DC circuits before performing any installation actions. Locate circuit breakers or fuses on DC power lines servicing the circuits. Turn off the power line circuits or remove the fuses.

Wire size must comply with local and national requirements and electrical codes. Use only copper wire.

Apply the ground connection first during installation and remove it last when removing power.



Assurez-vous de pouvoir retirer des circuits en courant continu avant d'effectuer toute action d'installation. Localiser les disjoncteurs ou fusibles sur les lignes électriques DC entretien des circuits. Mettez hors tension le circuit ligne ou retirer les fusibles.

Calibre doit respecter les exigences locales et nationales et les codes de l'électricité. Utiliser seulement du fil de cuivre.

Appliquer le motif connexion tout d'abord pendant l'installation et supprimer dernière lors du retrait de puissance.

4.3 Connecting Serial and Management Cables

The accessory kit includes the following cables:

- RJ-45 to DB-9 serial adapter cable.
- RJ-45 Ethernet cable.

[Table 7: RJ-45 to DB-9 Connections](#) lists the pin connections of the RJ-45 to DB-9 adapter cable.

Table 7: RJ-45 to DB-9 Connections

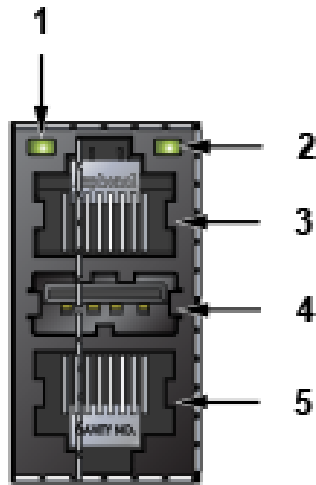
RJ-45		DB-9		RJ-45		DB-9	
RTS	1	8	CTS	GND	5	5	GND
DTR	2	6	DSR	RXD	6	3	TXD
TXD	33	2	RXD	DSR	7	4	DTR
GND	4	5	GND	CTS	8	7	RTS



Note: RJ-45 to DB-9 connections: For the console management port on the rear panel, RJ-45 pin 1 (RTS) is connected to RJ-45 pin 8 (CTS); RJ-45 pin 2 (DTR) and RJ-45 pin 7 (DSR) are not electrically connected to any signal.

Figure 4-5: [Rear Panel Management Ports](#) displays management ports on the rear panel of the CCS PoE switches. [Front Panel](#) and [Rear Panel](#) display the front and rear panels of all switches covered by this guide.

Figure 4-5: Rear Panel Management Ports



- | | | | | | |
|---|------------------|---|---------------------|---|--------------------------|
| 1 | Speed status LED | 2 | Activity status LED | 3 | Ethernet management port |
| 4 | USB port | 5 | Serial console port | | |

Connect management ports as follows:

- **Console (Serial) Port:** Connect to a PC with the RJ-45 to DB-9 serial adapter cable. The switch uses the following default settings:
 - 9600 baud
 - No flow control
 - 1 stop bit
 - No parity bits
 - 8 data bits
- **Ethernet Management Port:** Connect to 10/100/1000 management network with RJ-45 Ethernet cable.
- **USB Port:** The USB port may be used for software or configuration updates.

Note:



Excessive bending can damage interface cables, especially optical cables.

Flexion excessive peut endommager les câbles d'interface, notamment des câbles optiques.

Configuring the Switch

Arista switches ship from the factory in Zero Touch Provisioning (ZTP) mode. ZTP configures the switch without user intervention by downloading a startup configuration file or a boot script from a location specified by a DHCP server. To manually configure a switch, ZTP is bypassed. The initial configuration provides one username (`admin`) accessible only through the console port because it has no password.

When bypassing ZTP, initial switch access requires logging in as `admin`, with no password, through the console port. Then you can configure an `admin` password and other password protected usernames.

This manual configuration procedure cancels ZTP mode, logs into the switch, assigns a password to `admin`, assigns an IP address to the management port, and defines a default route to a network gateway.

1. Provide power to the switch ([Cabling the Switch](#)).
2. Connect the console port to a PC ([Connecting Serial and Management Cables](#)).

As the switch boots without a *startup-config* file, it displays the following through the console:

```
The device is in Zero Touch Provisioning mode
and is attempting to download the startup-config from a remote system.
The device will not be fully functional until either a valid startup-config
is downloaded from a remote system or Zero Touch Provisioning is cancelled.
To cancel Zero Touch Provisioning, login as admin and type
'zerotouch cancel' at the CLI.

localhost login:
```

3. Log into the switch by typing `admin` at the login prompt.

```
localhost login: admin
```

4. Cancel ZTP mode by typing `zerotouch cancel`.
IMPORTANT: This step initiates a switch reboot.

```
localhost> zerotouch cancel
```

5. After the switch boots, log into the switch again by typing `admin` at the login prompt.

```
Arista EOS
localhost login: admin
Last login: Fri Mar 15 13:17:13 on console
```

6. Enter global configuration mode.

```
localhost> enable
localhost# config
```

7. Assign a password to the `admin` username with the `username secret` command.

```
localhost(config)# username admin secret pxq123
```

8. Configure a default route to the network gateway.

```
localhost(config)# ip route 0.0.0.0/0 192.0.2.1
```

9. Assign an IP address (**192.0.2.8/24** in this example) to an Ethernet management port.

```
localhost(config)# interface management 1
localhost(config-if-Ma1/1)# ip address 192.0.2.8/24
```

10. Save the configuration by typing **write memory** or **copy running-config startup-config**.

```
localhost# copy running-config startup-config
```

11. When the management port IP address is configured, use this command to access the switch from a host, using the address configured in **Step 9**:

```
ssh admin@192.0.2.8
```

Refer to the *Arista Networks User Manual* for complete switch configuration information.

Status Indicators

The Status Indicators section reviews the following topics:

- [Front Indicators](#)
- [Rear Status Indicators](#)

A.1 Front Indicators

Reviews the Switch and Port indicators of the device.

A.1.1 Switch Indicators

Front panel LEDs are located on the chassis and display system, fan, and power supply status. The front panel LEDs are labeled as in [Figure A-1: System Status Indicators](#).

Figure A-1: System Status Indicators

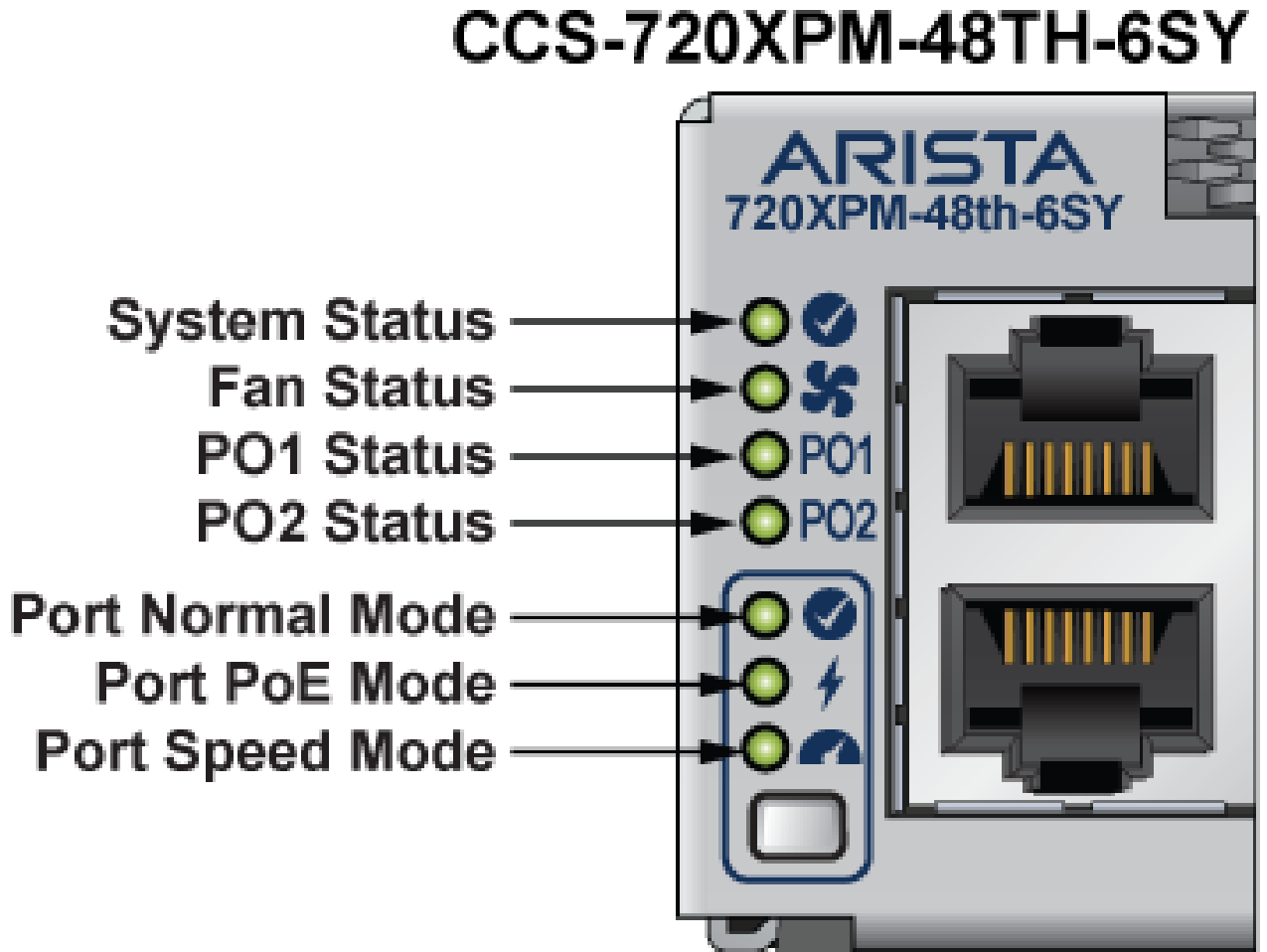


Table 8: Switch Indicators LED States (Front)

LED Name	LED State	Device Status
System Status LED	Blinking Green	System is powering up.
	Green	Normal operations. Due to power supply and fan redundancy, this LED will remain green if a single fan or power supply is missing or in a failed state.
	Blue	The locator function is active.
	Amber	Two or more fans (any combination of fan modules or PSU fans) are disconnected or malfunctioning. The switch will automatically execute a graceful shutdown shortly.
Fan Status LED	Green	All fan and power modules are operating normally.
	Amber	Single fan module is removed or malfunctioning. It is also amber when a PSU is completely removed or has a stuck fan rotor.
	Red	Two or more fans (any combination of fan modules or PSU fans) are disconnected or malfunctioning. The switch will automatically execute a graceful shutdown shortly.
PO [1:2] Status LED	Green	PSU is functioning and fully operational. AC is present, Aux output is ON, and Main output is ON.
	Off	PSU has been removed or is not operating properly due to AC cord being unplugged, its fan rotor being stuck, or an internal fault.

A.1.2 Port Indicators

Port LEDs, located in the vicinity of their corresponding ports, provide link and operational status.

[Table 9: Port LED States \(Front\)](#) provides status conditions that correspond to port LED states. Port LED behavior for QSFP+ and SFP+ ports is consistent.

Table 9: Port LED States (Front)

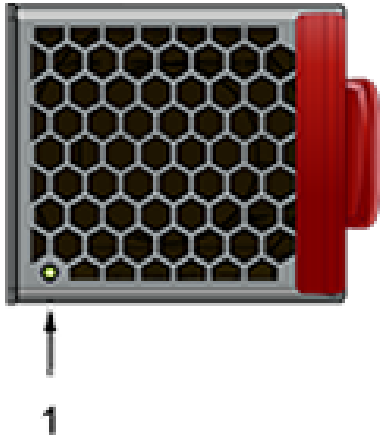
LED State	Status
Off	Port link is down.
Green	Port link is up.
Yellow	Port is software disabled.
Flashing Yellow	Port failed diagnostics.

A.2 Rear Status Indicators

Fan and power supply modules are accessed from the rear panel. Each fan and power supply module contains an LED that reports the module status.

Fan Status LEDs are on the fan modules, A representative fan module LED is displayed in [Figure A-2: Fan Status LED](#).

Figure A-2: Fan Status LED



- 1 Fan module status LED

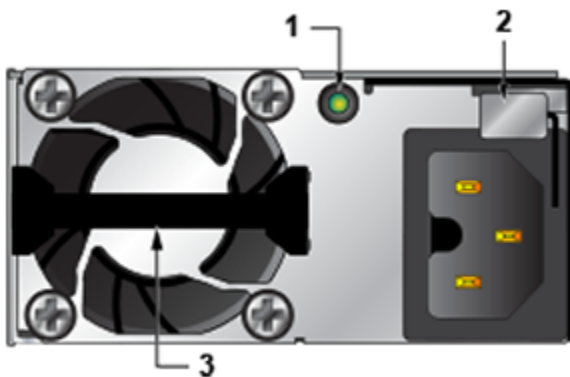
[Table 10: Fan Status LED States \(Rear\)](#) provides status conditions that correspond to fan status LED states.

Table 10: Fan Status LED States (Rear)

LED State	Status
Off	The fan module is not detected. If it is inserted, it may not be seated properly.
Green	The fan is operating normally. This LED state is exclusive to its fan module, and independent of the states of its neighboring fans and power supplies.
Red	The fan has failed.

The AC Power Supply Status LEDs are on the power supply modules, as displayed in [Figure A-3: Representative AC Power Supply Status LED \(PWR-1021-AC-RED\)](#).

Figure A-3: Representative AC Power Supply Status LED (PWR-1021-AC-RED)



- 1 Power supply status LED
- 2 Release
- 3 Handle

[Table 11: AC Power Supply Status LED States \(Rear\)](#) provides status conditions that correspond to the AC power supply status LED states.

Table 11: AC Power Supply Status LED States (Rear)

Power Supply State	PWR-1021-AC-RED
Input power present Normal operation	Green
Input power present Power Supply fault	ON/OFF: ON when PSU output is ON, OFF when PSU Output is OFF
Input power present Power Supply FAN fault	FLASH 800 ms ON / 800 ms OFF
No Input power Supply installed in chassis	OFF
Input power present Supply not installed in chassis	Green



Note: You can narrow down the error condition by logging in to the switch to view the specific device state. Refer to the *Arista User Manual's Switch Environment Control* chapter, under the topic *Viewing Environment Status*, for further information on the `show environment` commands.

Part List

Each switch provides an accessory kit that contains parts that are required to install the switch. This appendix lists the installation parts contained in the switch accessory kit.

The Parts List section reviews the following topics:

- [Rack Mount Parts](#)
- [Cables](#)

B.1 Rack Mount Parts

Describes the rack mounting parts and cables required for installation of the device.

B.1.1 Two-Post Rack Mount Parts

This section describes the components included with the accessory kits available with the switches. Not all kits ship with all switches. Use only the parts shipped with the switch or optional, compatible kits. Do not mix parts from incompatible kits such as KIT-7001/2 and KIT-7101/2.

KIT-720XPM (Default)

The kit includes two-post rack mount parts and other components.

Quantity	Description
2	Two-post brackets
8	M4 x 5 Flat head Phillips Screws

KIT-7010-2POST-23 (Optional)

The kit includes two-post rack mount parts and other components.

Quantity	Description
2	Two-post brackets 23" rack
6	M4 x 5 Flat head Phillips Screws

KIT-7010-4POST (Optional)

The kit includes four-post rack mount parts and other components.

Quantity	Description
2	Four-post rack mount kit
6	M4 x 5 Flat head Phillips Screws

B.2 Cables

Lists the cables required for installation of the device.

Quantity	Description
1	RJ-45 Patch Panel Cable
1	RJ-45 to DB9 Adapter and Cable
Optional (must be ordered separately)	
	Power cables: Check for your region

Note: All provided power cables are for use only with Arista products.



警告

すべての電源コードは提供する製品で使用するためだけを目的としている。

電源コードの他の製品での使用の禁止

Aristaが提供するすべての電源コードは、Aristaの製品でのみ使用してください。

Front Panel

This section displays the front panel of all switches covered by this guide.

Figure C-1: CCS-720XPM-48TH-6SY



1 System status LEDs

2 Port status LEDs

3 Uplink ports

Ports 49 to 52: 25G

Ports 53 to 54: 10G

4 Uplink port status LED

5 PoE mode button

6 PoE status LEDs

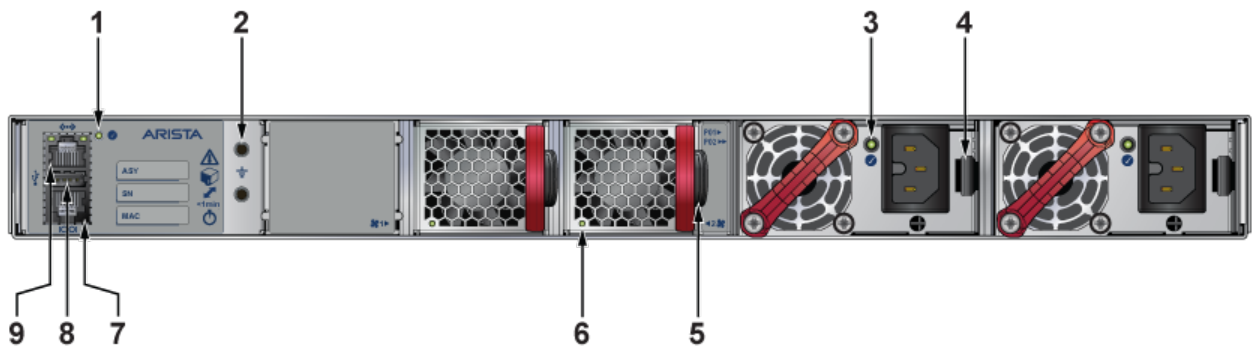
Rear Panel

All switches covered by this guide use the rear panel shown below.



Note: Depending on the installed power supply and fan modules, the appearance could be different from those shown.

Figure D-1: Rear Panel for CCS-720XPM-48TH-6SY



- | | | |
|-----------------------------|---------------------------|----------------------------|
| 1 Power Supply Status LED | 4 Power supply 1 Latch | 7 Console serial port |
| 2 Ground | 5 Fan module 2 handle | 8 USB port |
| 3 Power supply 1 status LED | 6 Fan module 2 status LED | 9 Ethernet management port |

Maintenance and Field Replacement

The Maintenance and Field Replacement section reviews the following topics:

- [Considerations](#)
- [Power Supplies](#)
- [Fan Modules](#)

E.1 Considerations

Review the following considerations when installing the device.

- All fans and power supplies are hot swappable.
- The switch can be running while a power supply is being installed or removed, but the power supply being replaced must not be connected to a power source.



Note: Saving the switch configuration before replacing a power supply is recommended.

- All slots must be filled or covered with a blank for operation (even though power supply or fans may not be functional).
- Before you begin, refer to the Arista Networks document Safety Information and Translated Safety Warnings available at: <https://www.arista.com/en/support/product-documentation>.



Note: Refer to the front ([Front Panel](#)) and rear ([Rear Panel](#)) panel illustrations of your device to locate the appropriate LED, the release lever or handle, and the handle for the power supply and fan modules.

E.2 Power Supplies

The following steps are required when removing power supplies from a switch.

E.2.1 AC Power Supplies

E.2.1.1 Removing an AC Power Supply

1. Ground yourself with an ESD wrist strap.
2. Power down the power supply to be removed by disconnecting the AC power cable.
3. Push the power supply release lever and remove the power supply.

E.2.1.2 Installing an AC Power Supply

You must make space for installing the power supply by removing an existing one ([Removing an AC Power Supply](#)).

1. Remove the replacement power supply from its packaging.
2. Slide the new power supply into the empty slot.
3. Slide the new power supply into the switch until the power supply is fully seated and the release lever snaps into place.
4. Connect the power cord to the power supply.
5. Verify the LED(s) on the power supply.



Note: The Power Supply status LED is a steady green for normal operation.

6. Verify the new power supply operation by issuing the `show environment power` command.

```
switch# show environment power
```

The output of the command lists the power supplies in operation and includes the one you replaced.

E.2.2 DC Power Supplies



Note: Use a three-eighth inch (3/8") hexagon-socket wrench for removing the lug nuts.

E.2.2.1 Removing a DC Power Supply

Before performing any of the steps, ensure power is removed from DC circuits by turning off the power line servicing the circuits.



Note: Make sure to remove the ground connection *last* when removing power.

1. Put on a grounded, anti-static ESD strap.
2. Disconnect the power cable from the DC power source.
3. Access the terminal studs by lifting the plastic cover.
4. Remove the flange locking nuts to each of the terminal studs.
5. Disconnect the power cable lug from the terminal studs.
6. Use the power supply release lever to unseat and slide out the power supply.

E.2.2.2 Installing a DC Power Supply

You must make space for installing the power supply by removing an existing one ([Removing a DC Power Supply](#)) from a power supply slot available on the switch. Perform the following steps to install a DC power supply.

1. Put on a grounded ESD strap.
2. Unbox the new power supply.
3. Insert the new power supply into the empty power supply slot.
4. After you insert the power supply, push gently on the power supply until the power supply is fully seated and locked in place.

5. Connect the DC-input wires to the appropriate terminals using the specified torque ([Table 6: Wiring, Lug, and Tightening Torques for DC PSU](#)) in the following order:
 - a. Ground wire to the Protective Earth (PE) terminal.
 - b. Negative source DC cable to the negative (- / -48V) terminal.
 - c. Positive (+) source DC cable to the positive (+ / Rtn) terminal.

E.3 Fan Modules

Hot swap fans within 30 seconds to prevent the switch from overheating. Ensure that the module you are replacing matches those already installed in the switch.

E.3.1 Removing a Fan Module

The following steps are required when removing or replacing fans from a switch.

1. Ground yourself with an ESD wrist strap.
2. Push the fan module release lever and slide the fan module out of the switch.

E.3.2 Installing a Fan Module

You must make space for installing the fan module by removing an existing one ([Removing a Fan Module](#)).

1. Remove the replacement fan from its packaging.
2. Slide the new fan module into the switch until the module is fully seated and the release lever snaps into place.
3. Verify that the fan module is working normally.



Note: The fan module status LED should be a steady green for normal operation.

Regulatory Model Numbers

This section lists the Regulatory Model Numbers (RMNs), where applicable, for the product models for the switches described in this document.

Table 12: Regulatory Model Numbers and Product Numbers

Regulatory Model Number (RMN)	Product Number(s)
AN2228	CCS-720XPM-48TH-6SY

Taiwan RoHS Information

This section provides the Taiwan RoHS information for switches covered by this guide.

For the Taiwan BSMI RoHS Table, go to <https://www.arista.com/assets/data/pdf/AristaBSMIroHS.pdf>.